

# Spare Parts List

# GARUDAN®

## GARUDAN GP-700serie



ANITA B s.r.o.

Hliníky 2068

680 01 Boskovice

Czech Republic

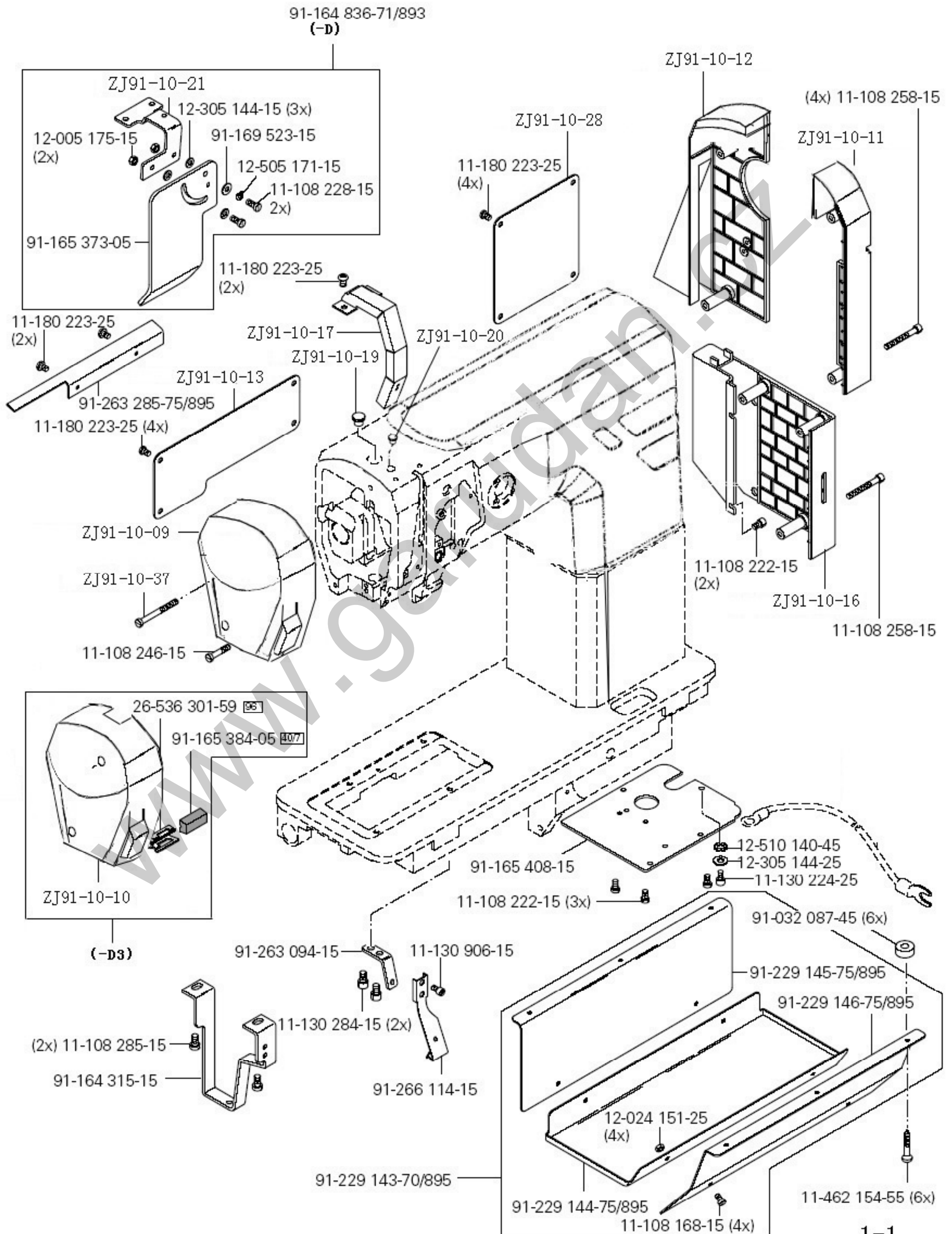
tel: +420 516 454 774,+420 516 453 496

fax: +420 516 452 751

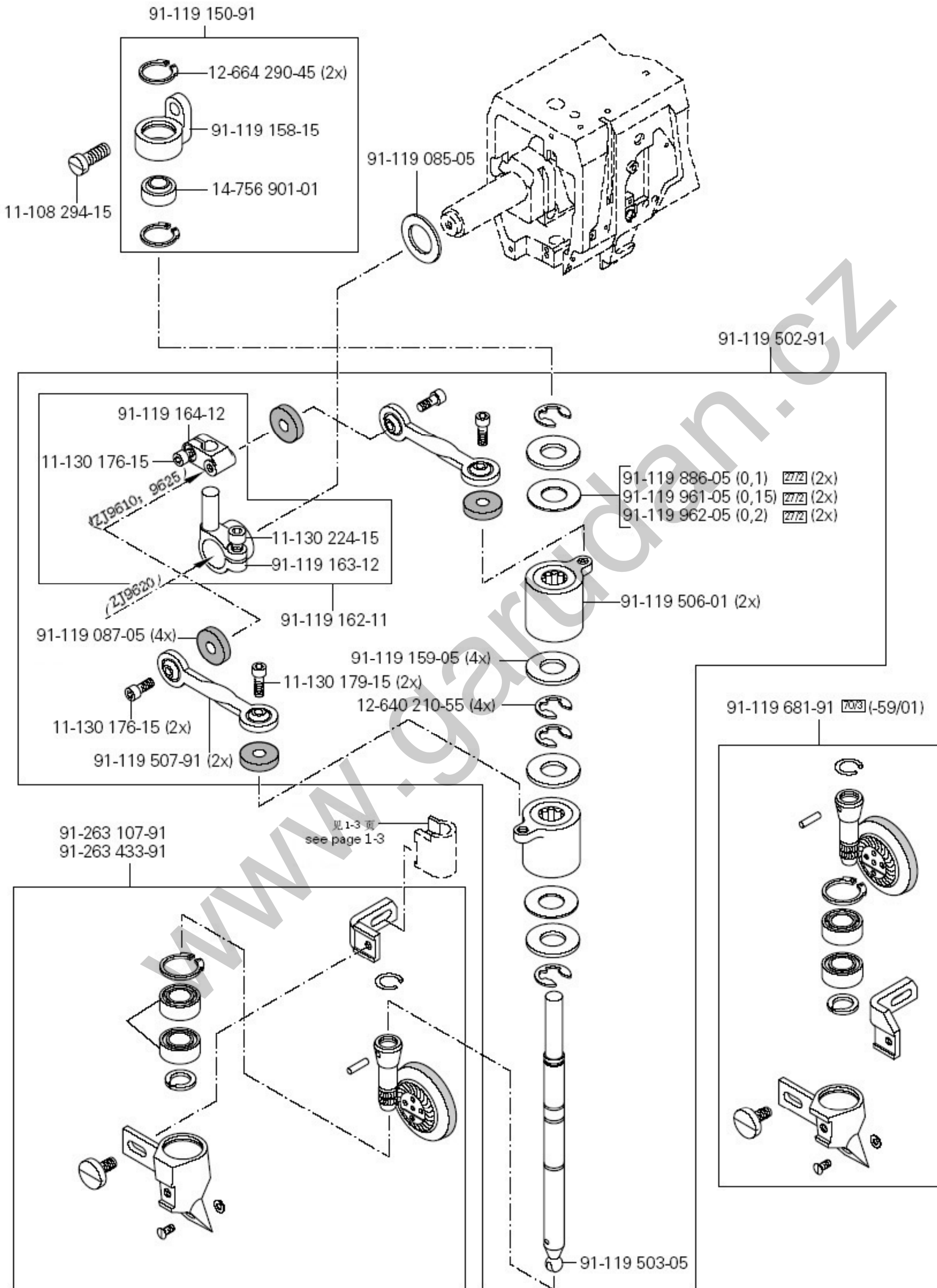
e-mail: [info@anita.cz](mailto:info@anita.cz)

[www.garudan.cz](http://www.garudan.cz)

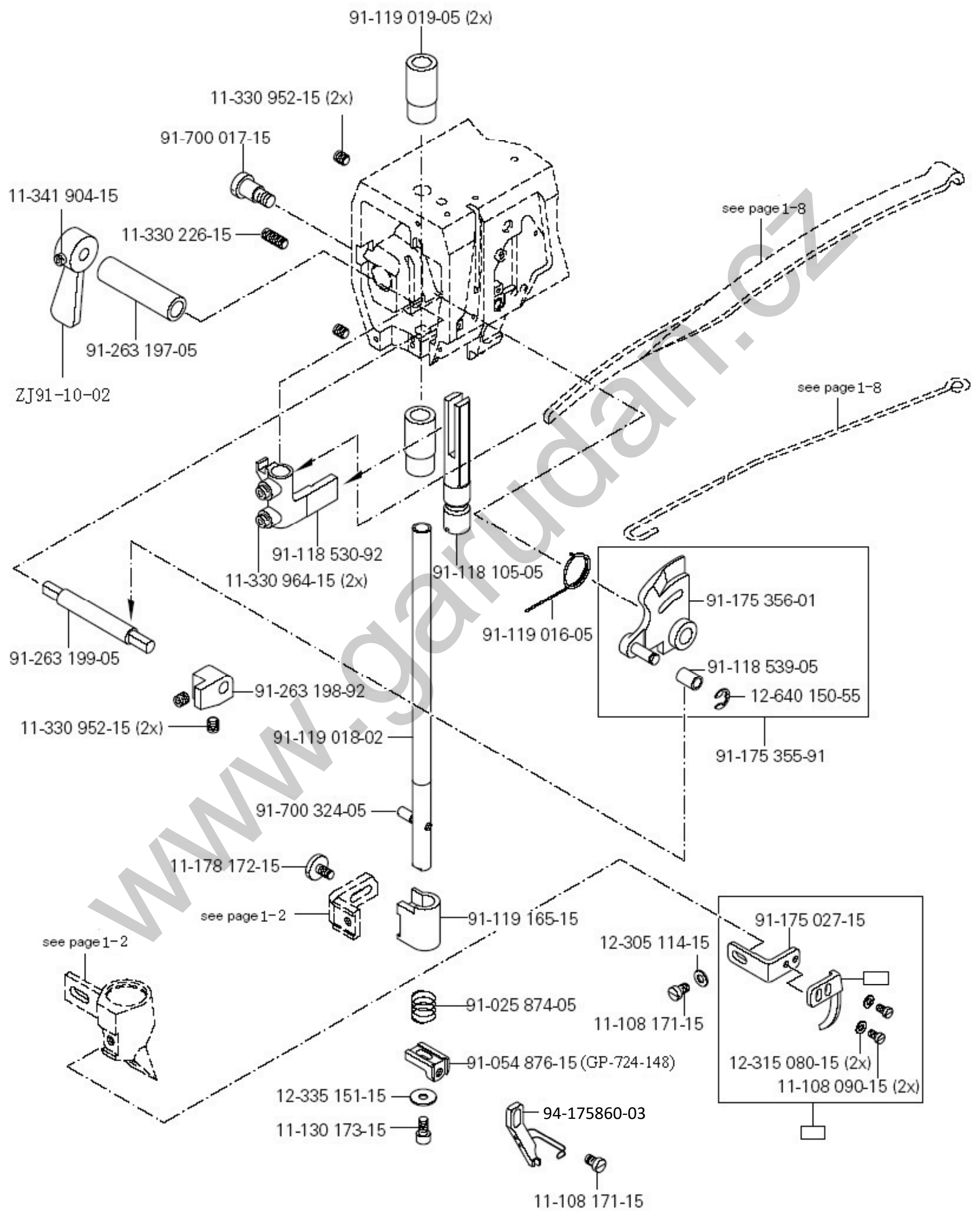
# 1.01 Housing sections



# 1.02 Housing sections

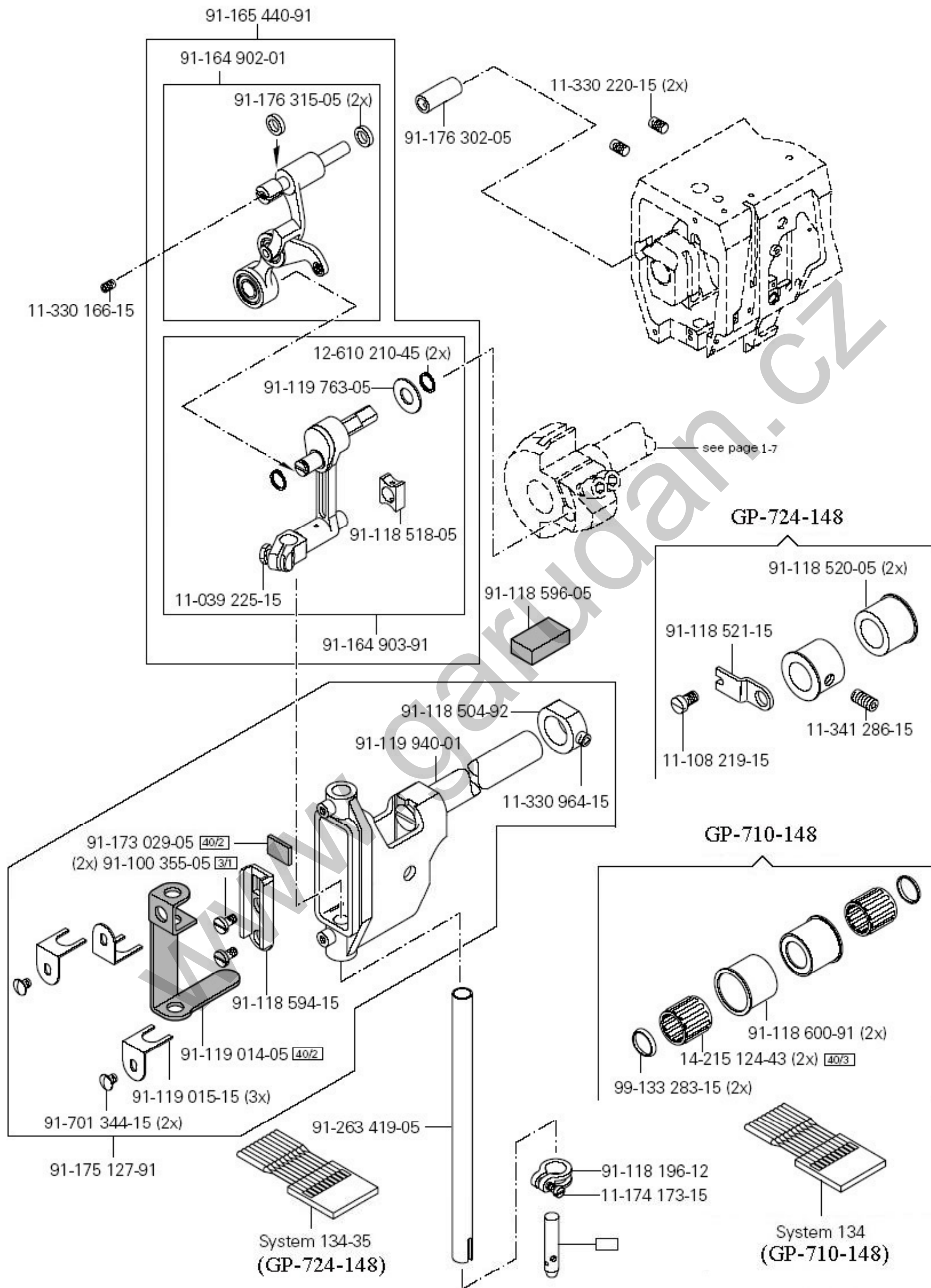


# 1.02 Needle head parts

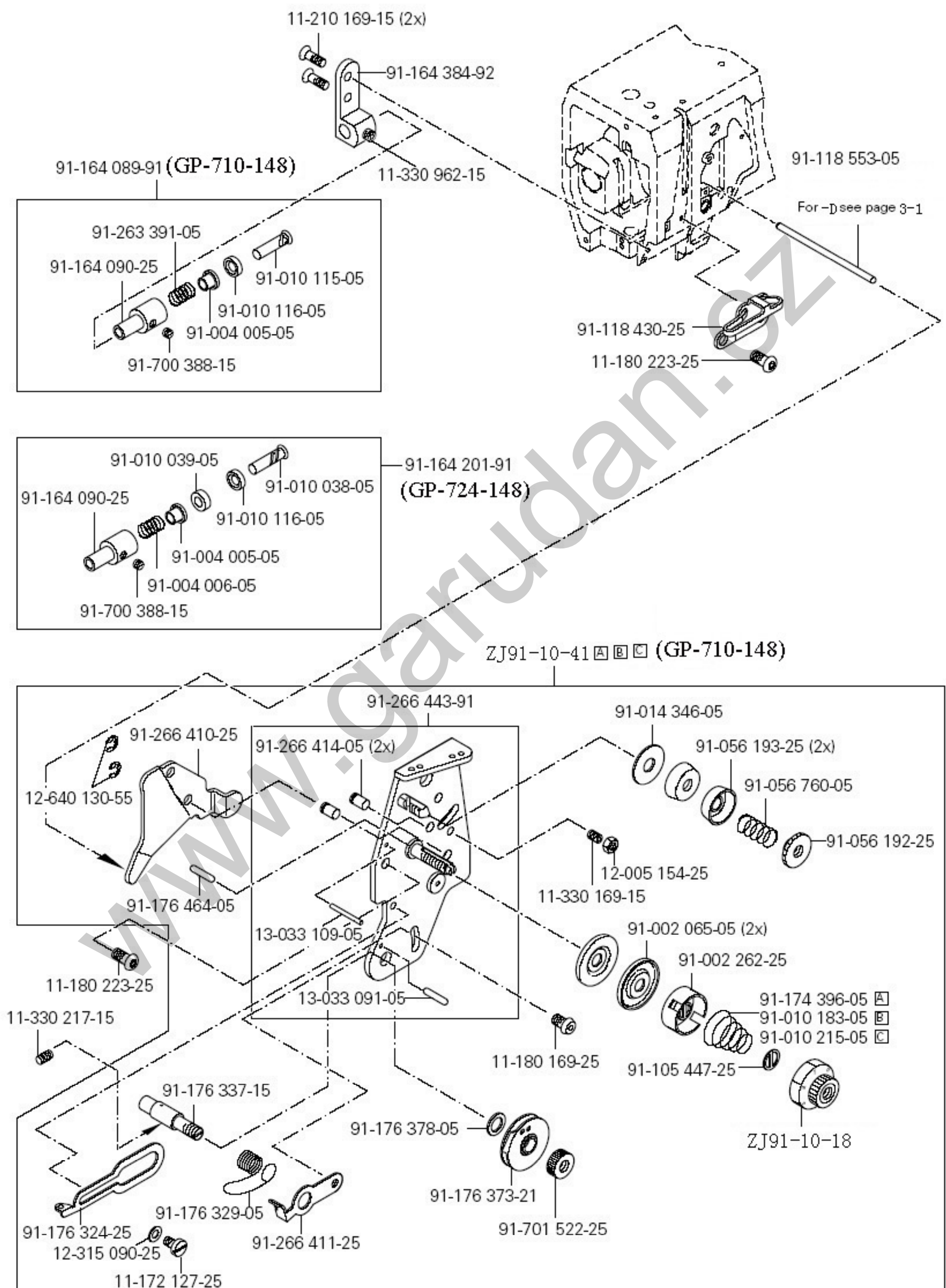


# 1.02

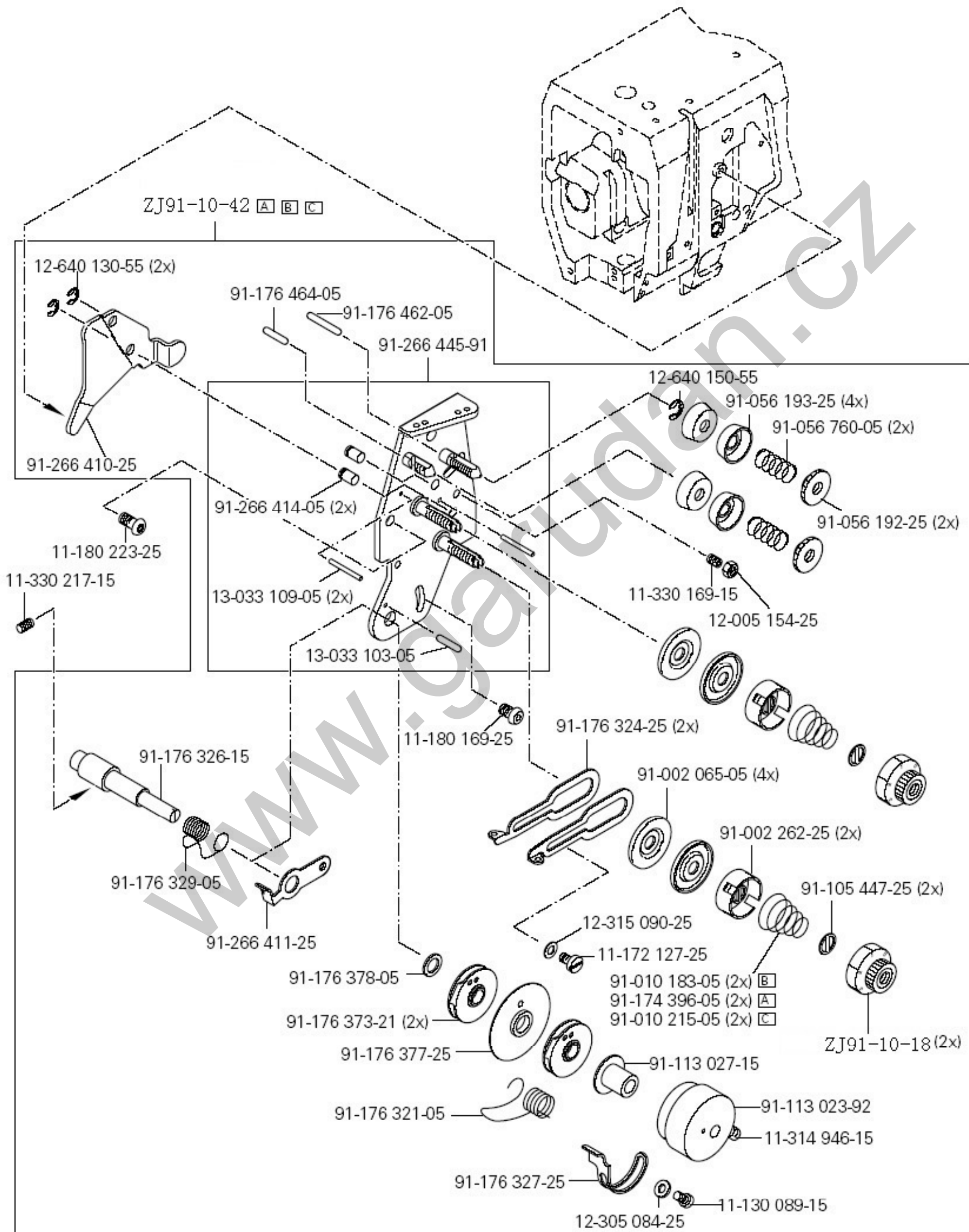
## Needle head parts



# 1.02 Needle head parts

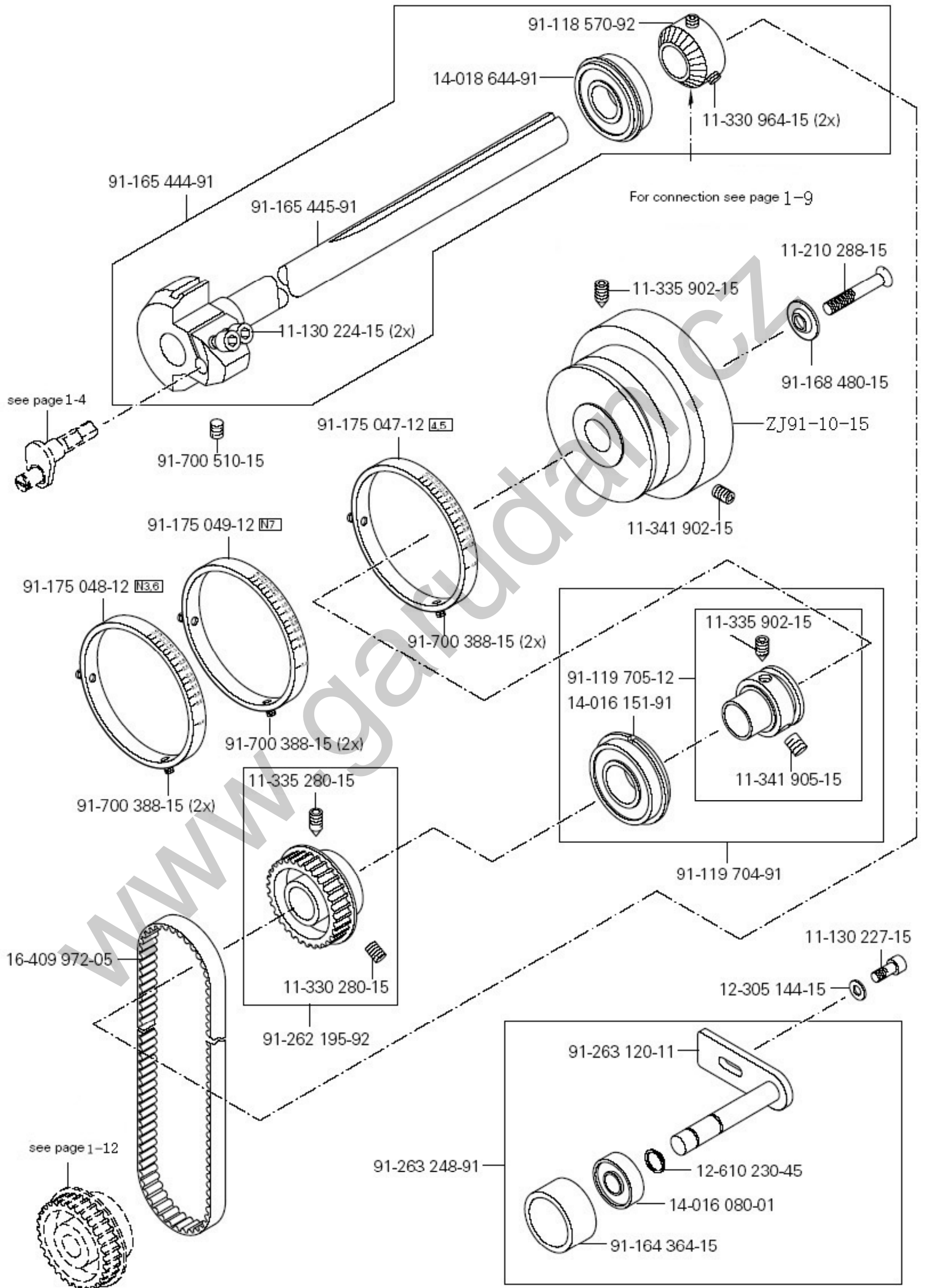


# 1.02 Needle head parts (GP-724-148)

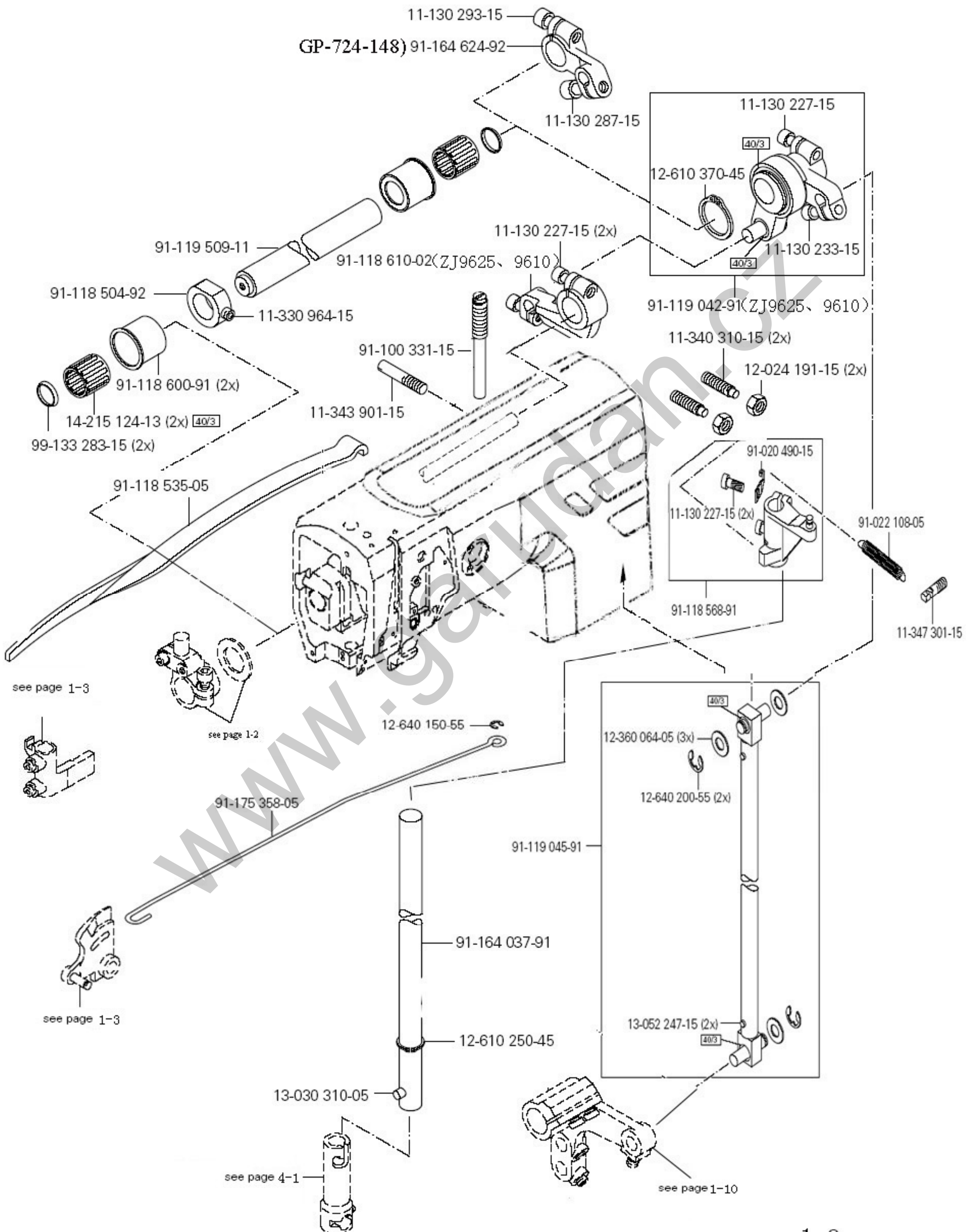




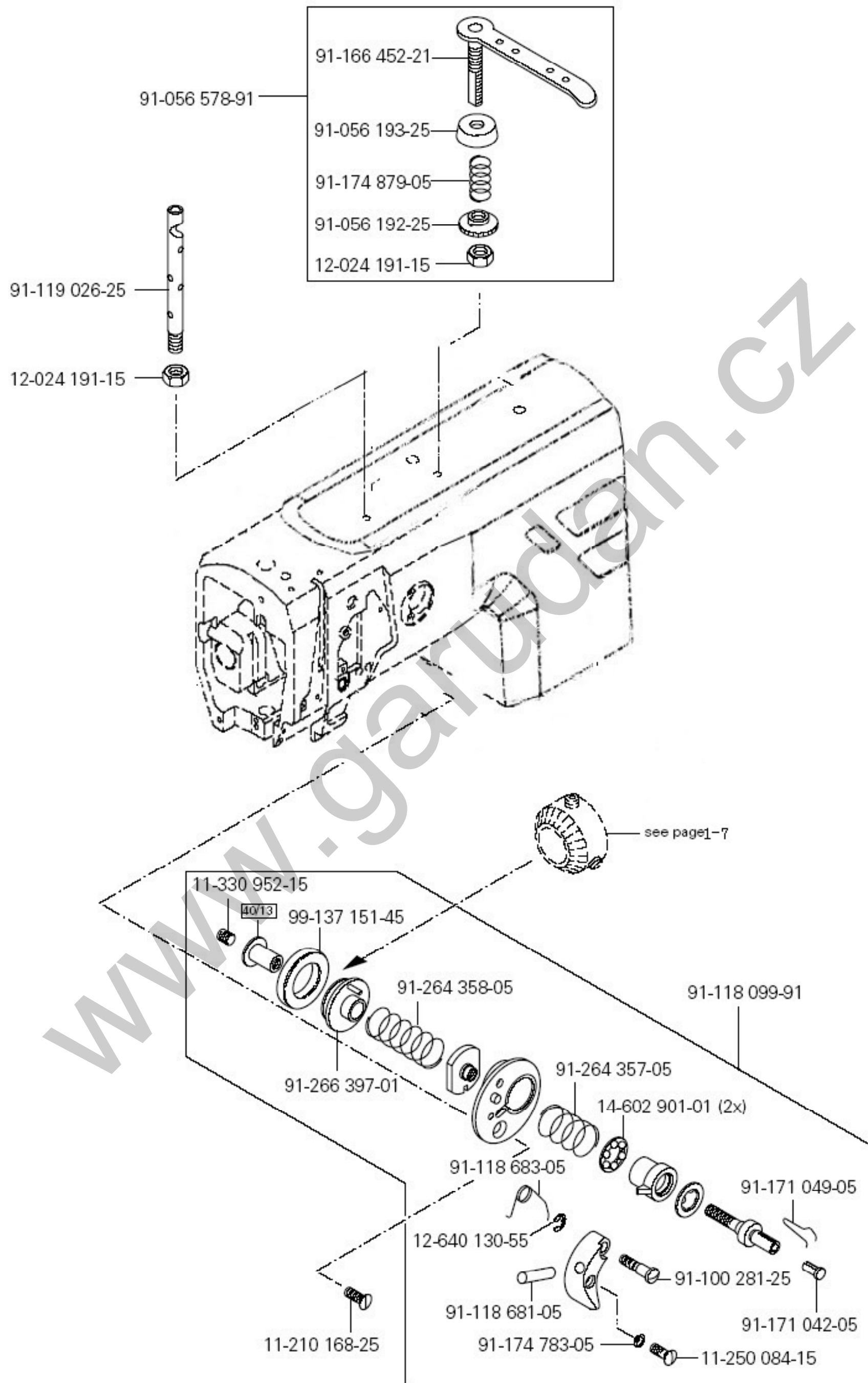
# 1.03 Arm parts



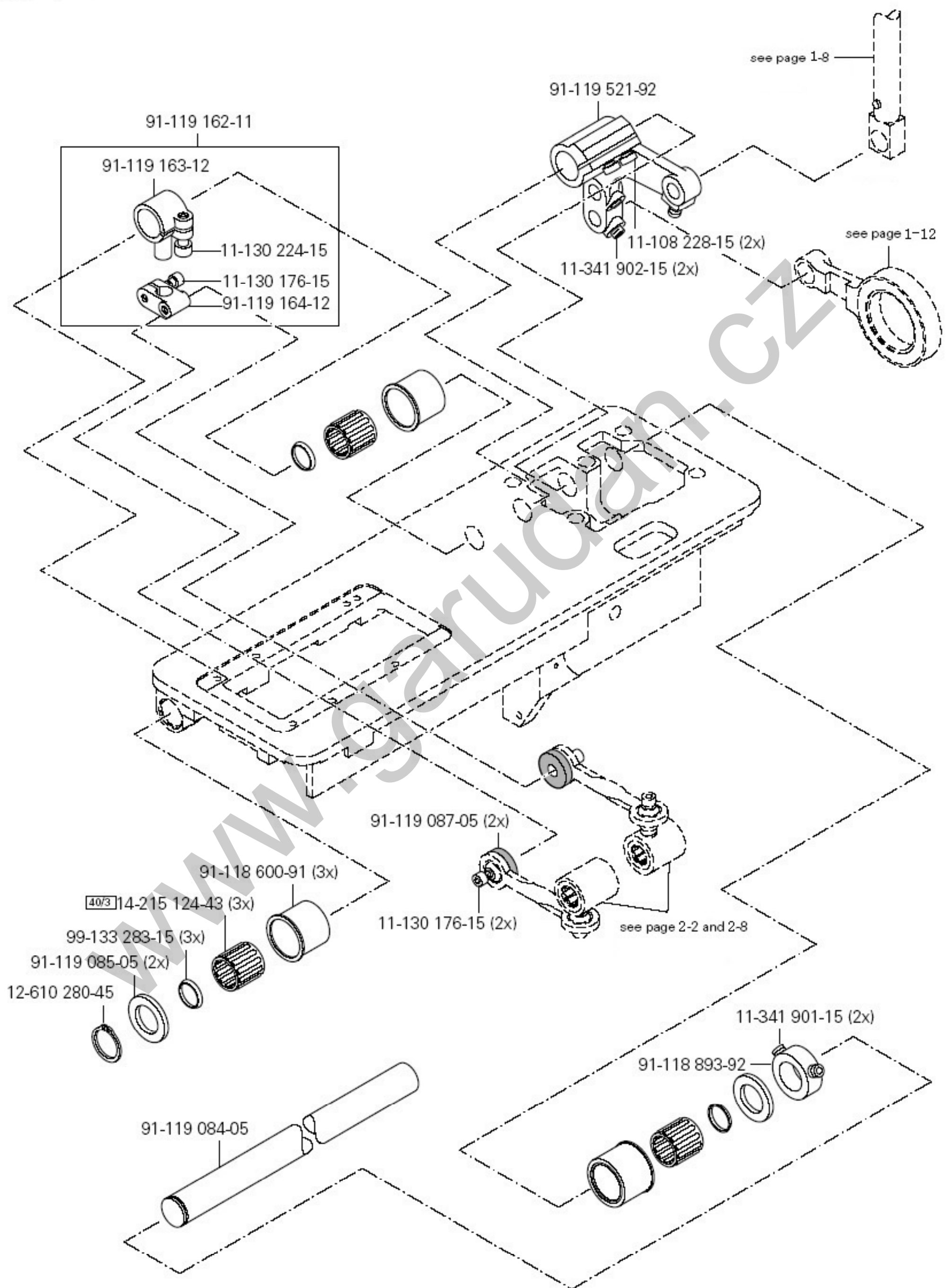
# 1.03



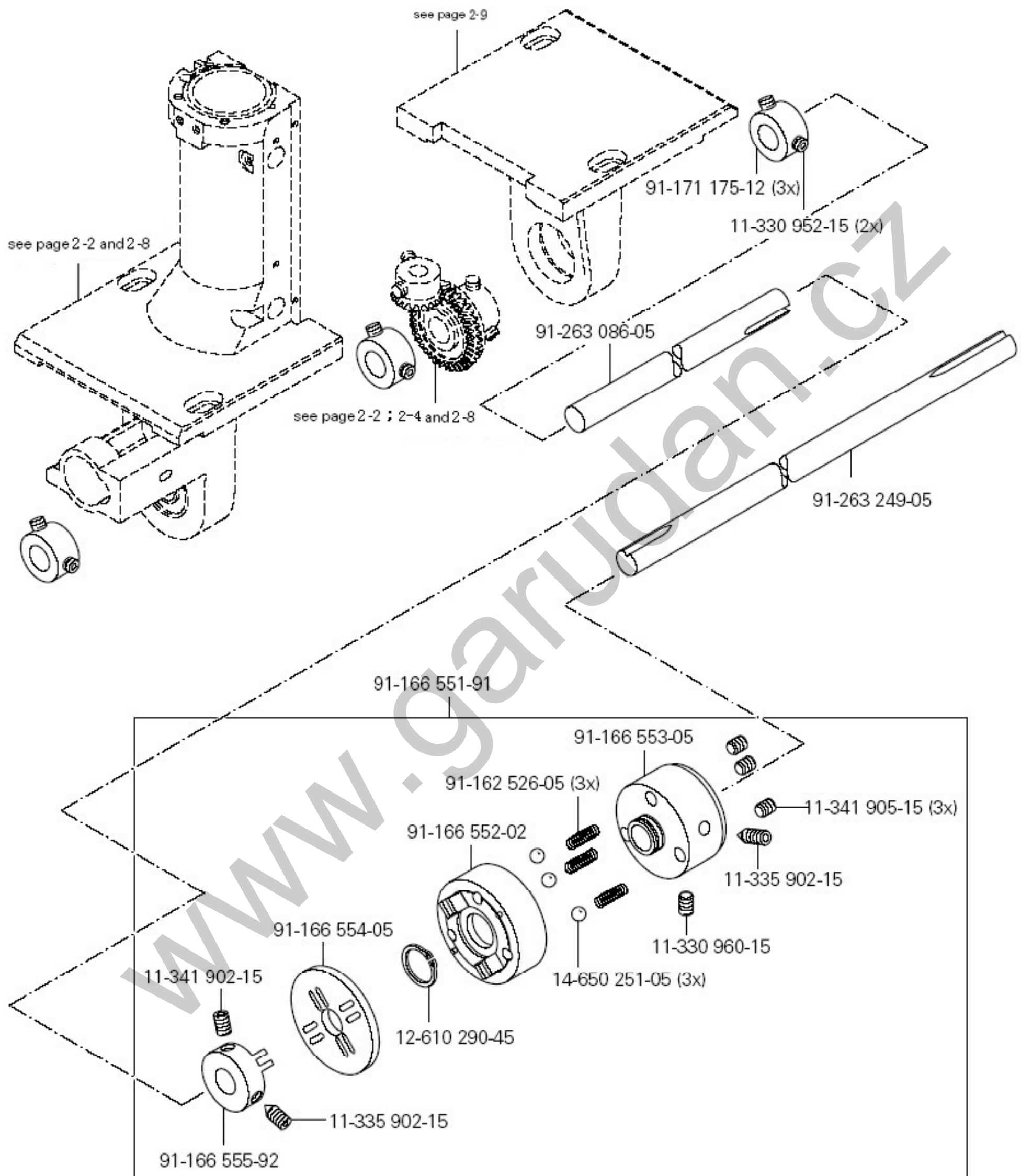
# 1.03 Arm parts



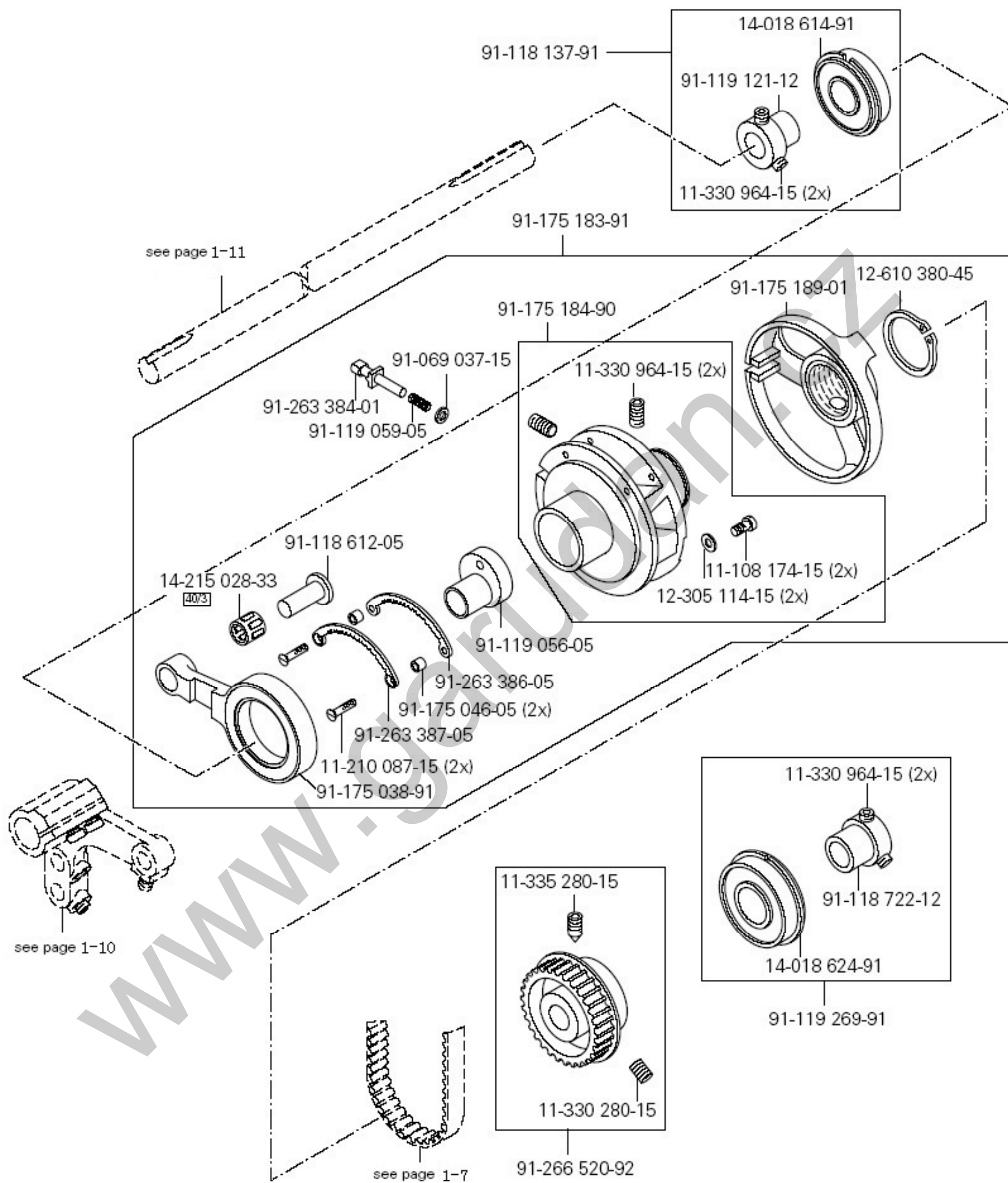
# 1.04 Bedplate parts



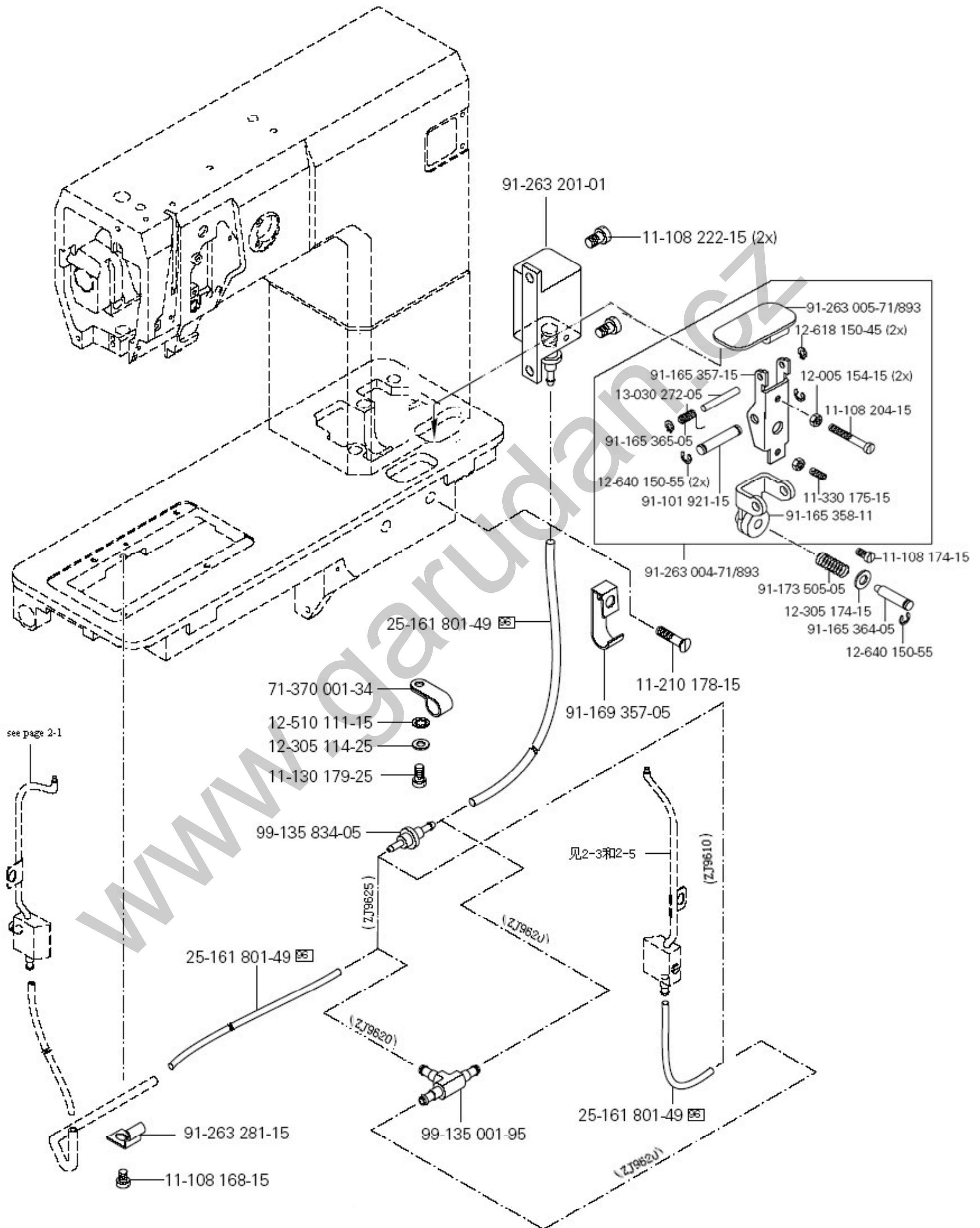
# 1.04 Bedplate parts



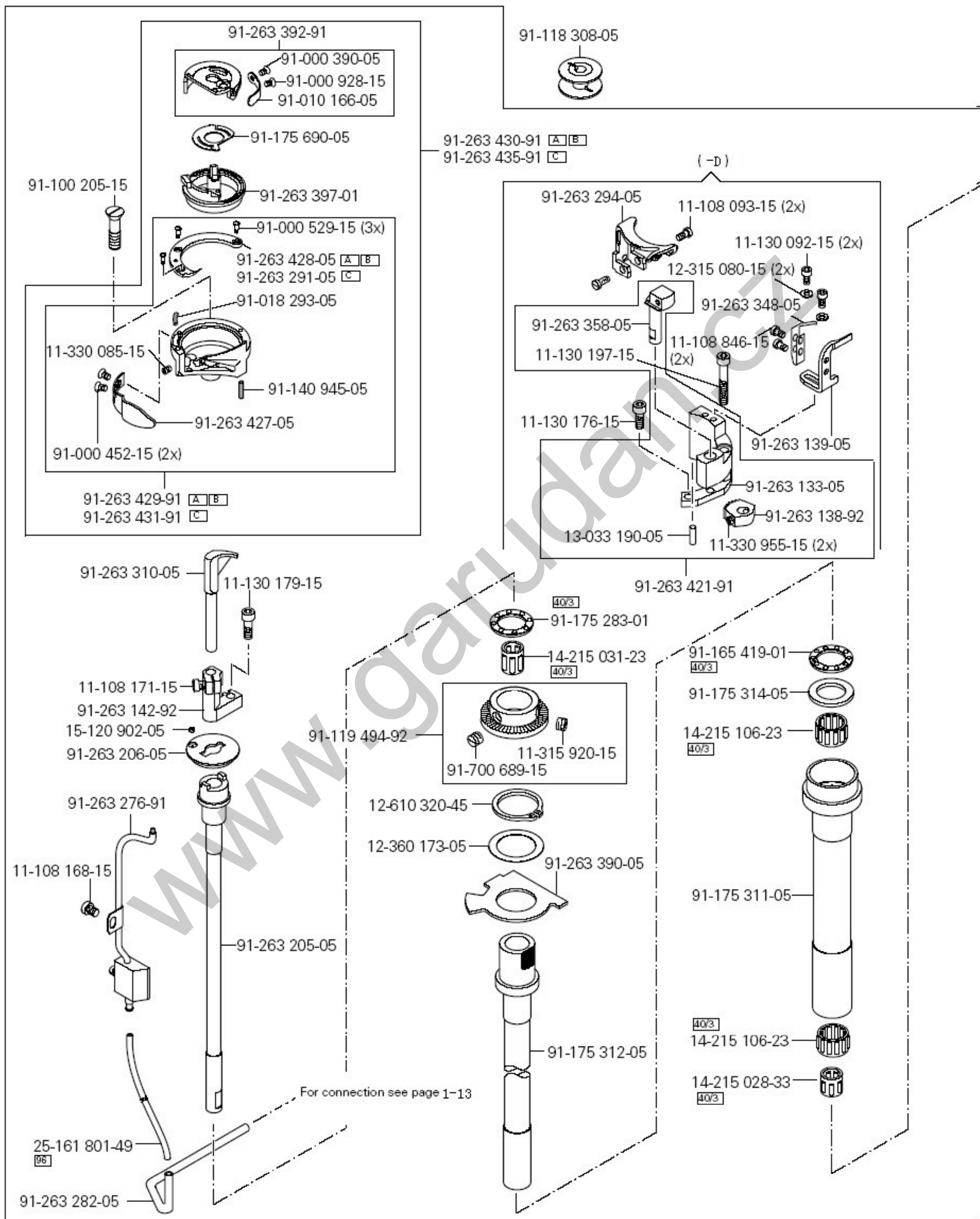
# 1.04 Bedplate parts



# 1.04 Bedplate parts

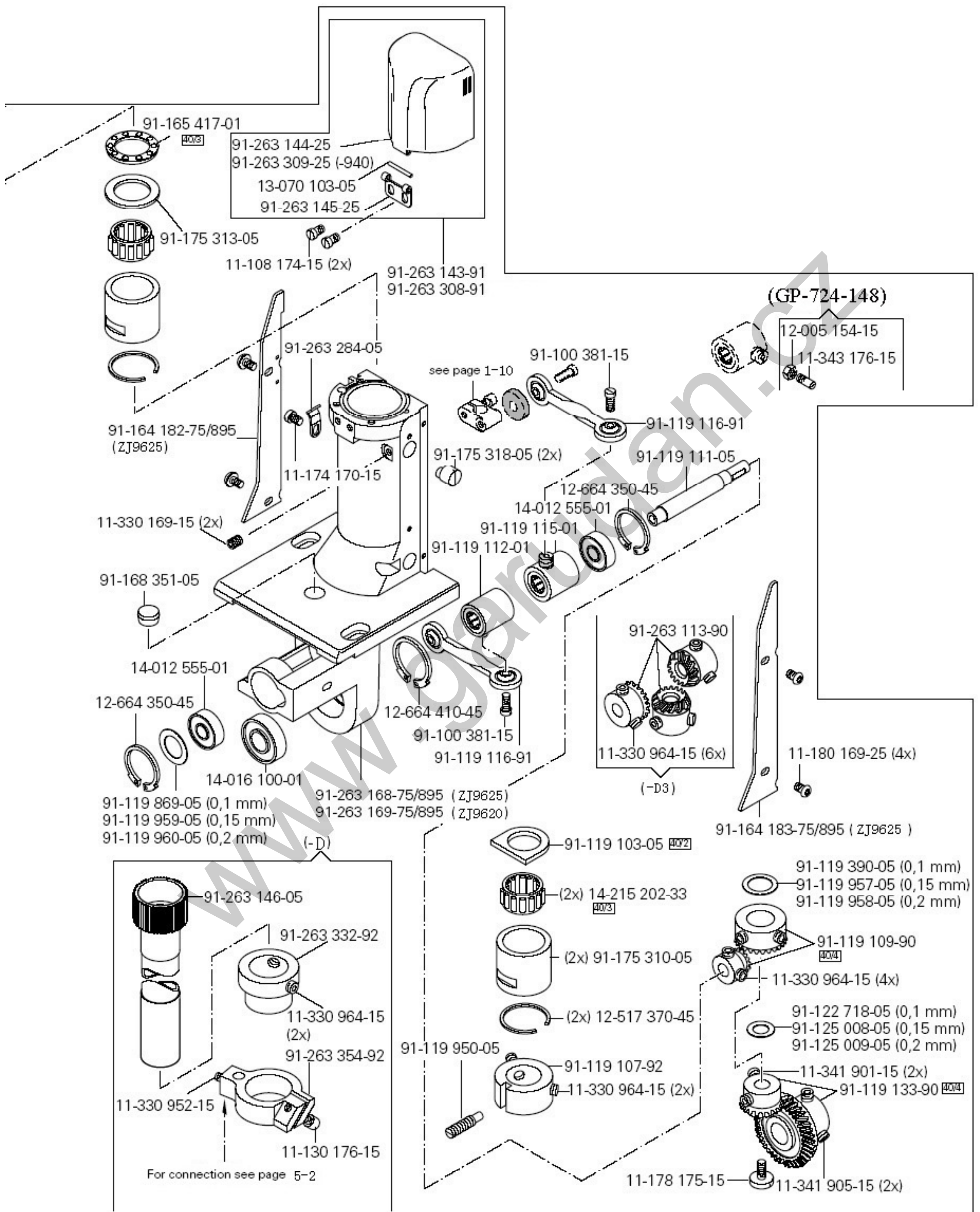


# 2.01 Hook post, left (GP-724-148)

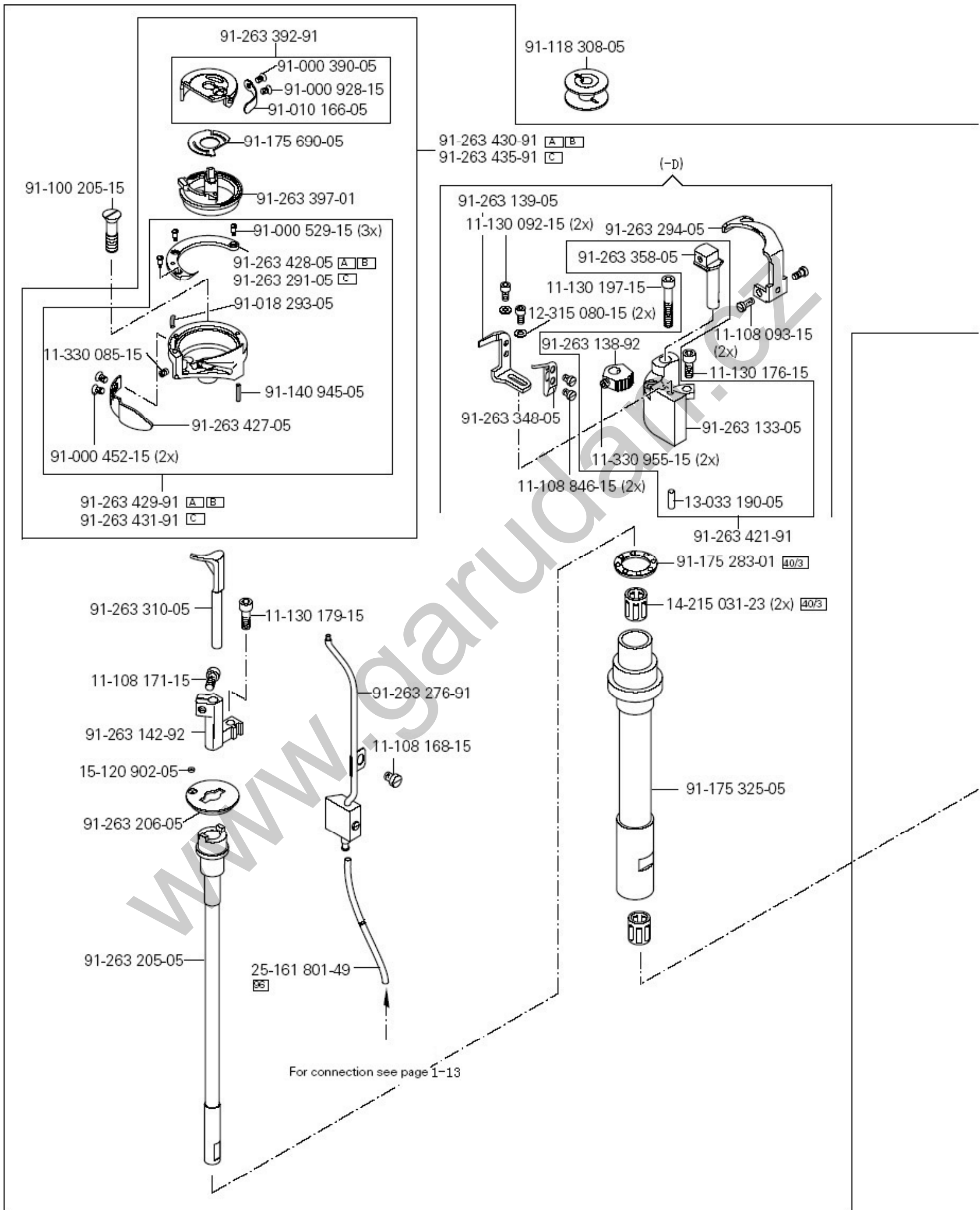




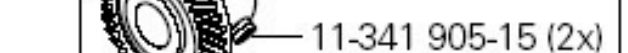
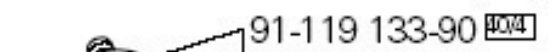
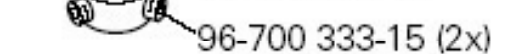
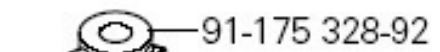
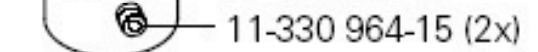
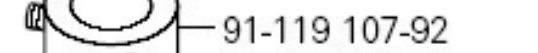
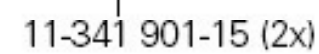
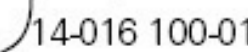
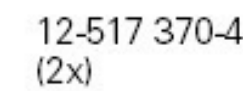
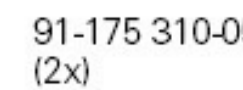
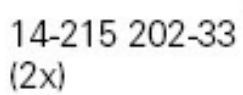
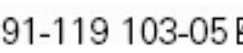
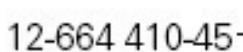
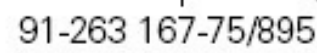
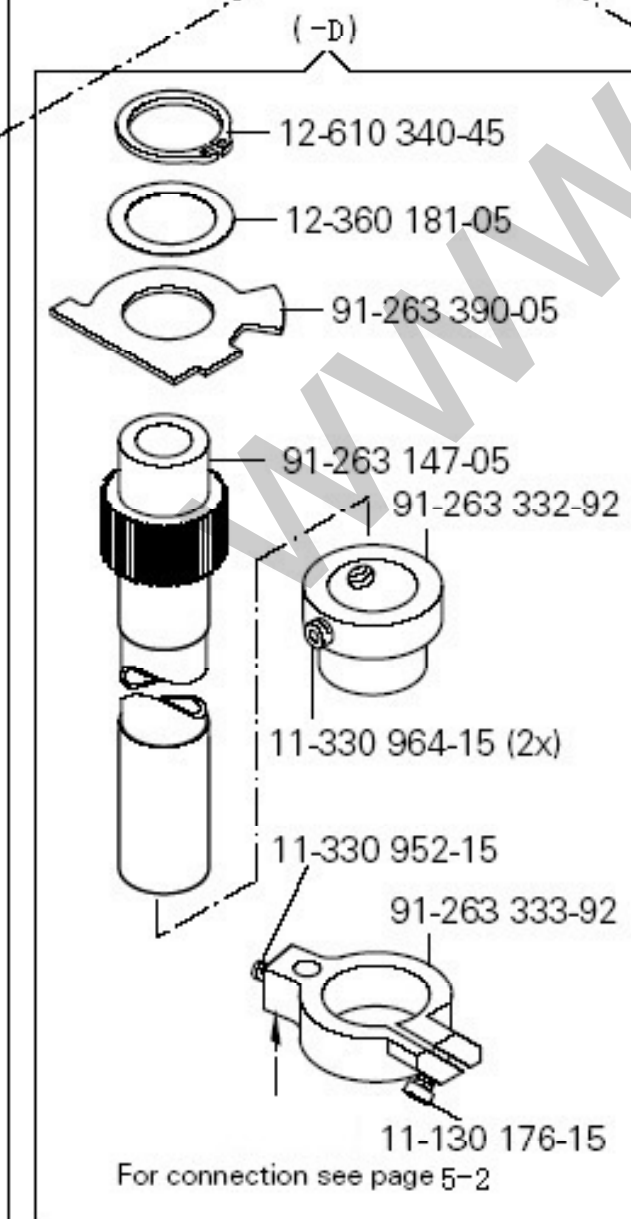
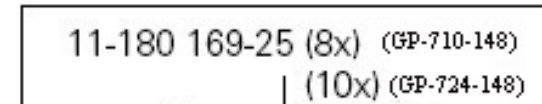
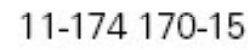
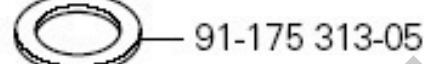
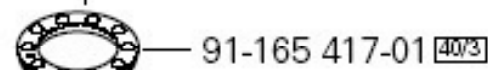
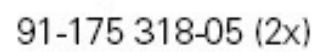
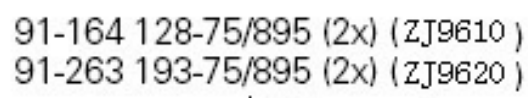
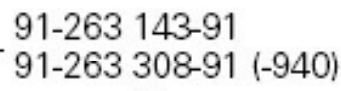
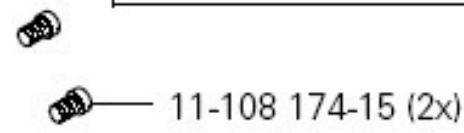
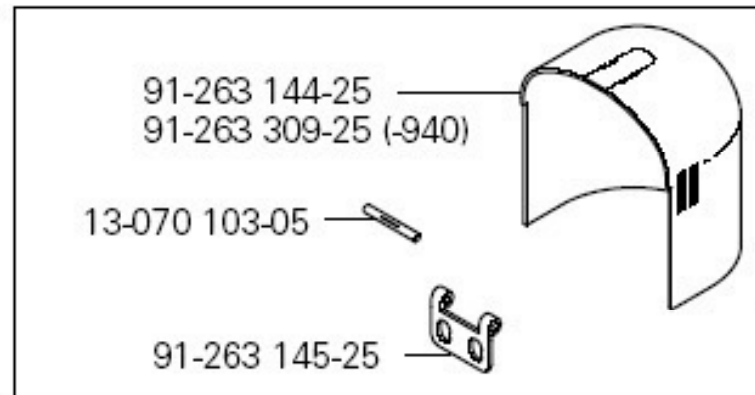
# 2.01 Hook post, left (GP-724-148)



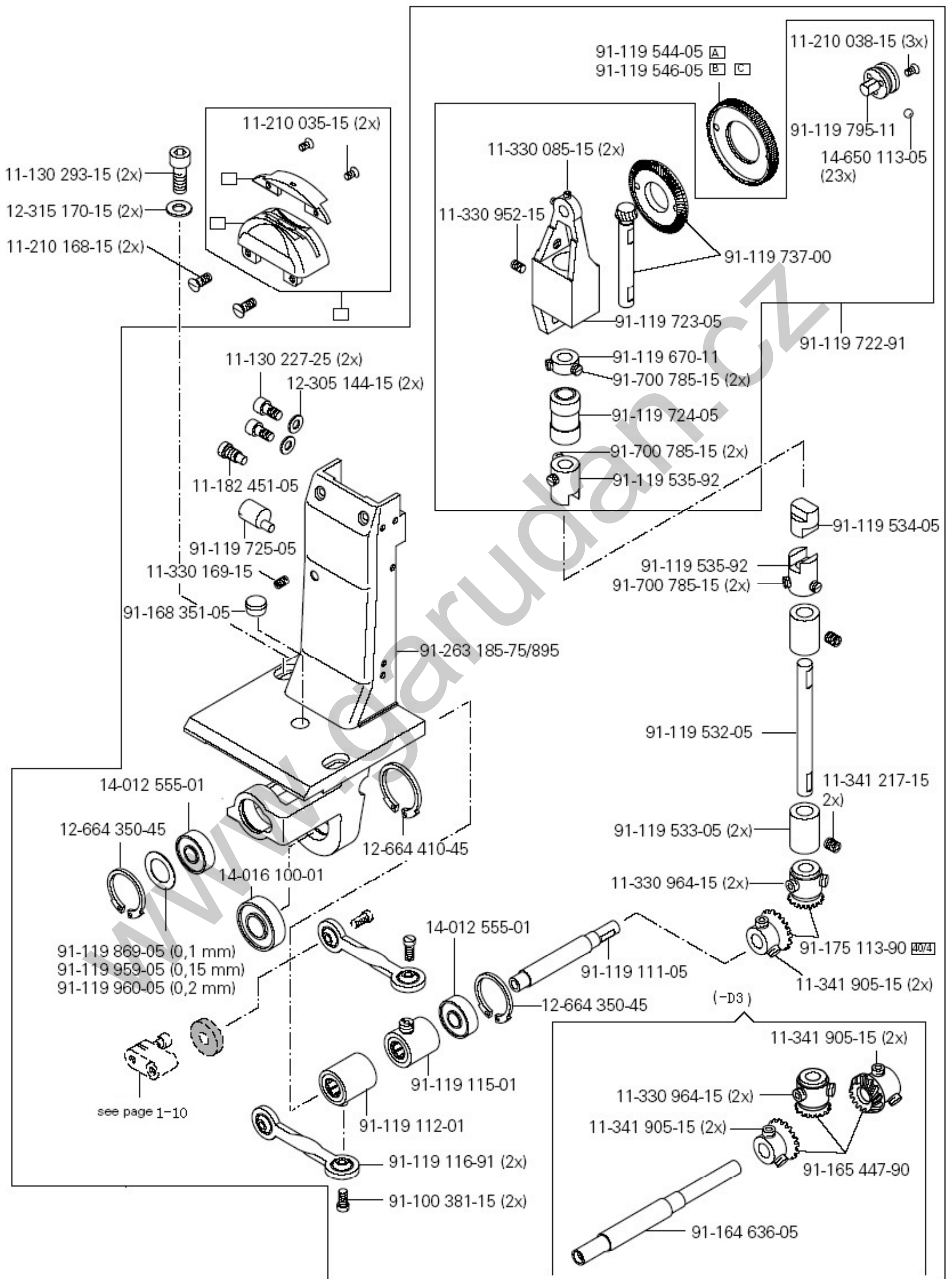
# 2.02 Hook post, right (GP-724-148)



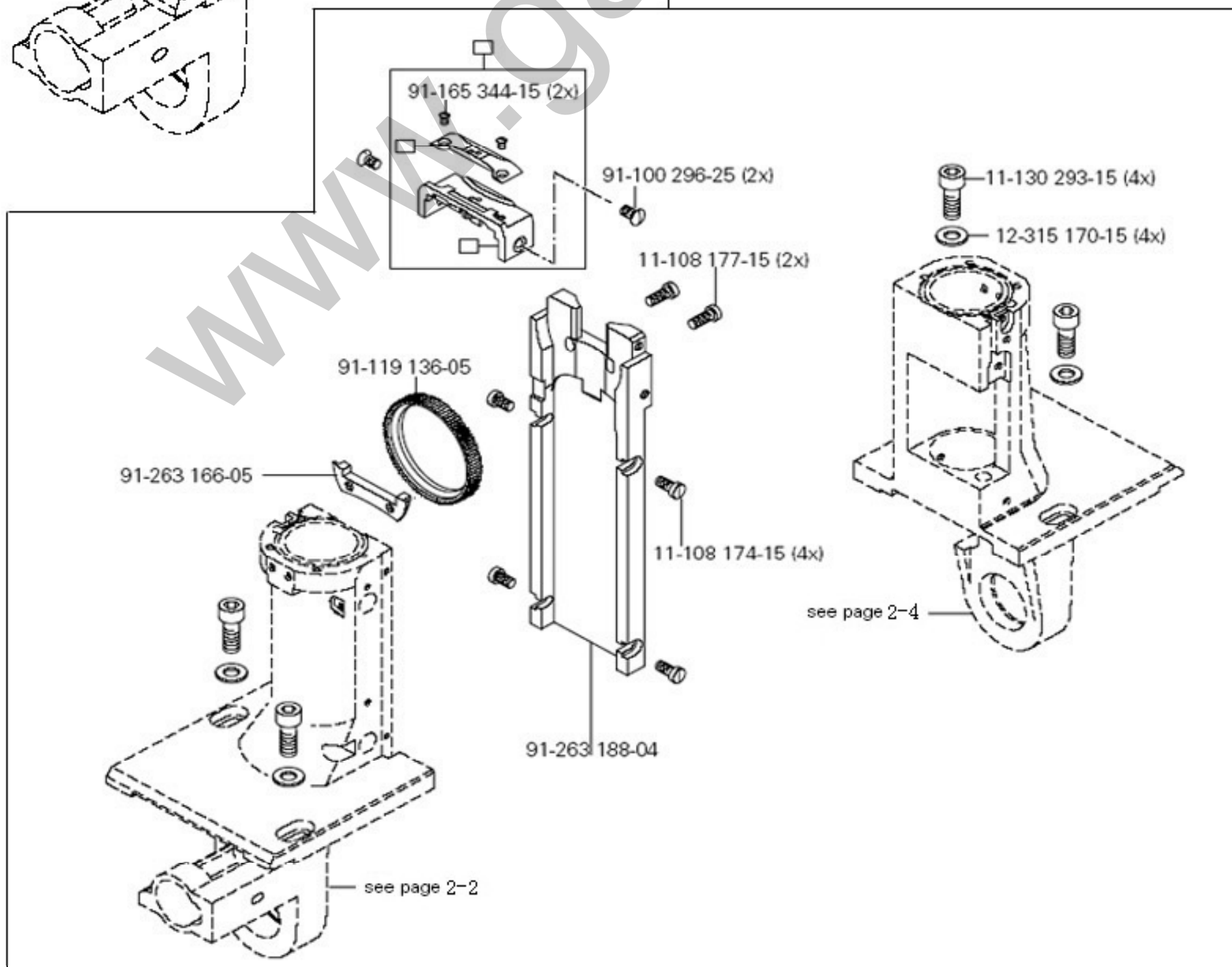
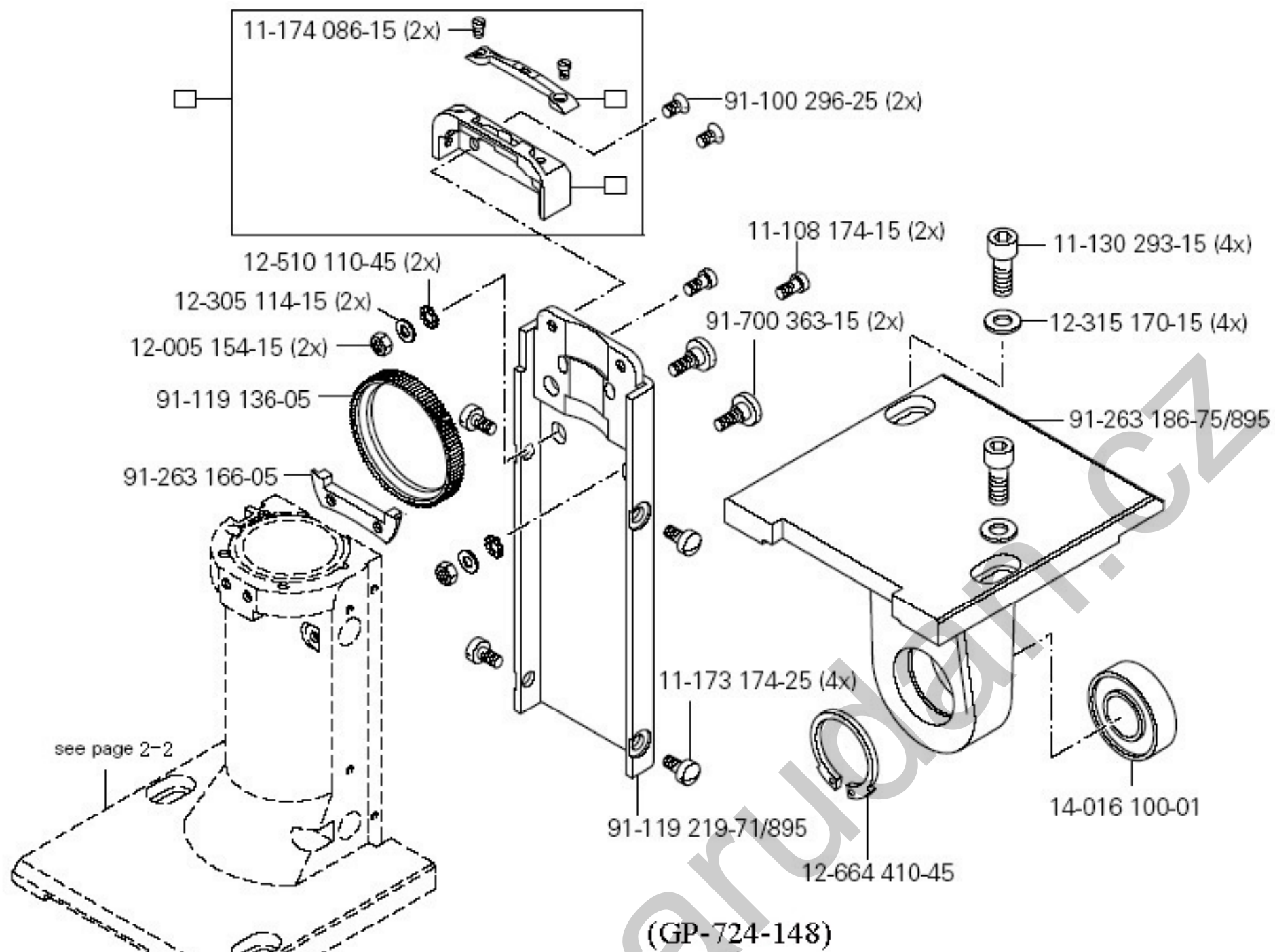
## 2.02 Hook post, right (GP-724-148)



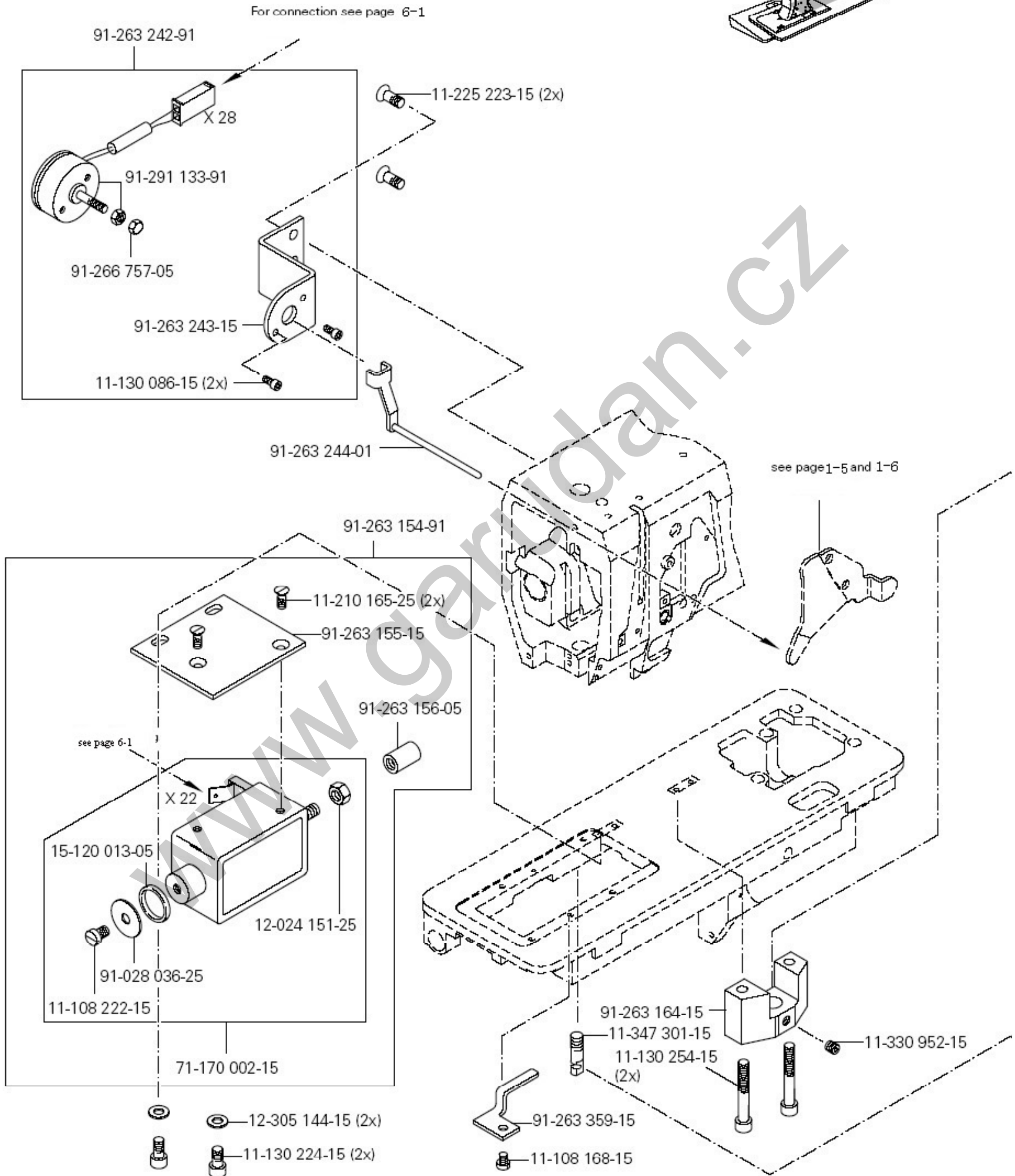
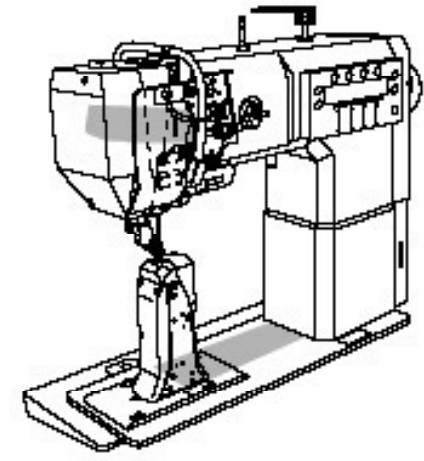
## 2.03 Feed wheel post, left (GP-710-148)



# 4.04 Feed wheel mounting plate

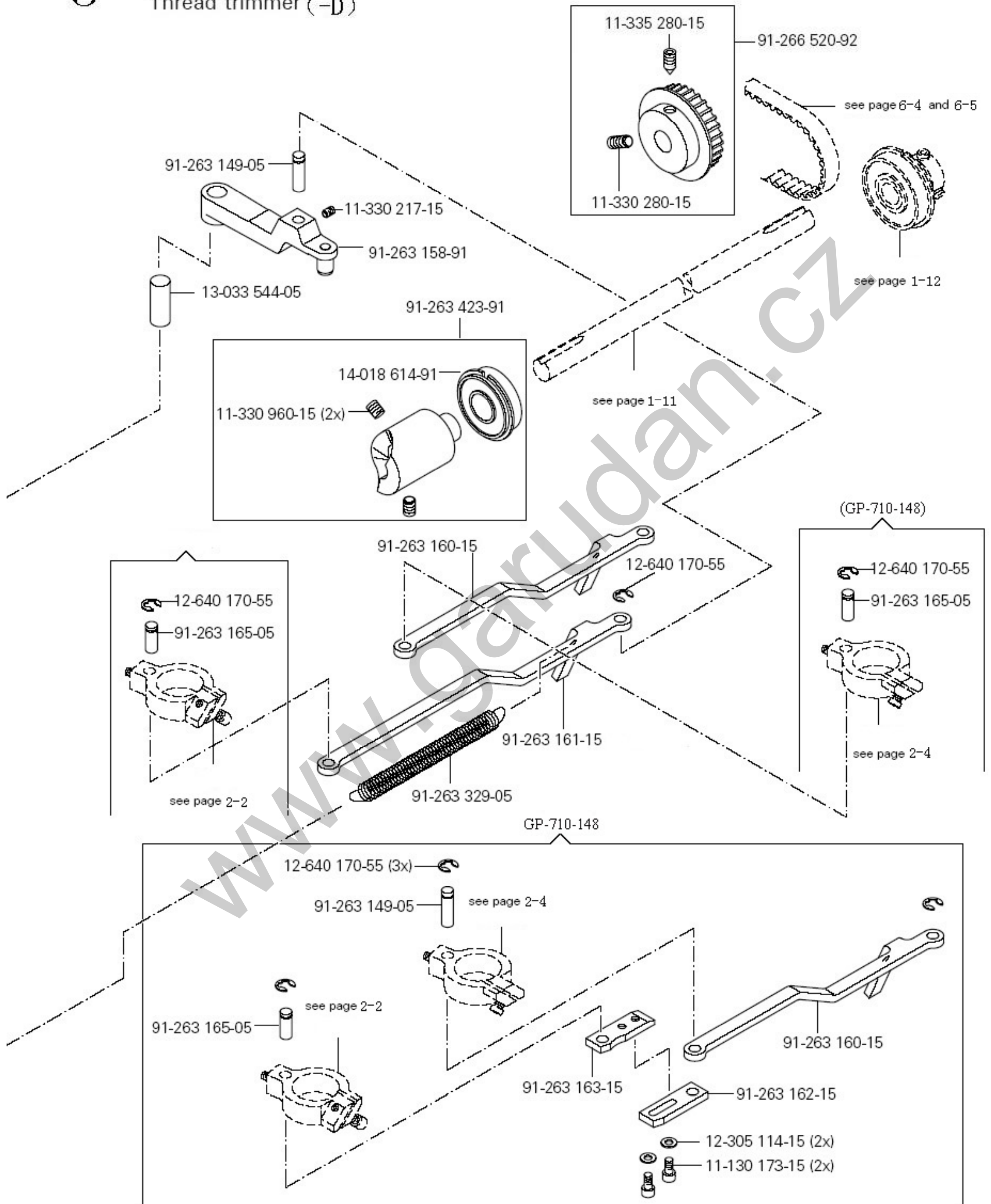


# 3 Thread trimmer (-D)



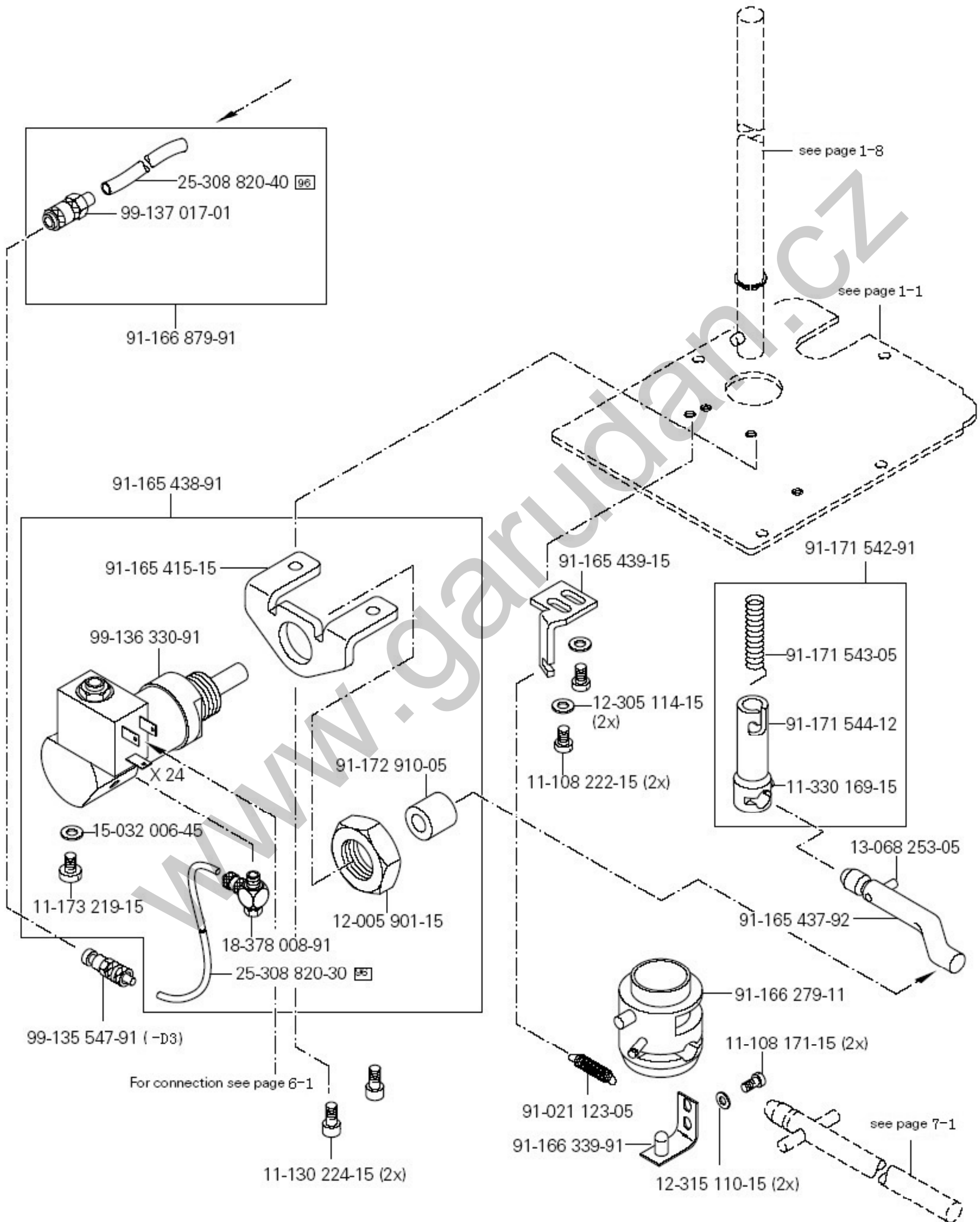
# 3

## Thread trimmer (-D)



# 4

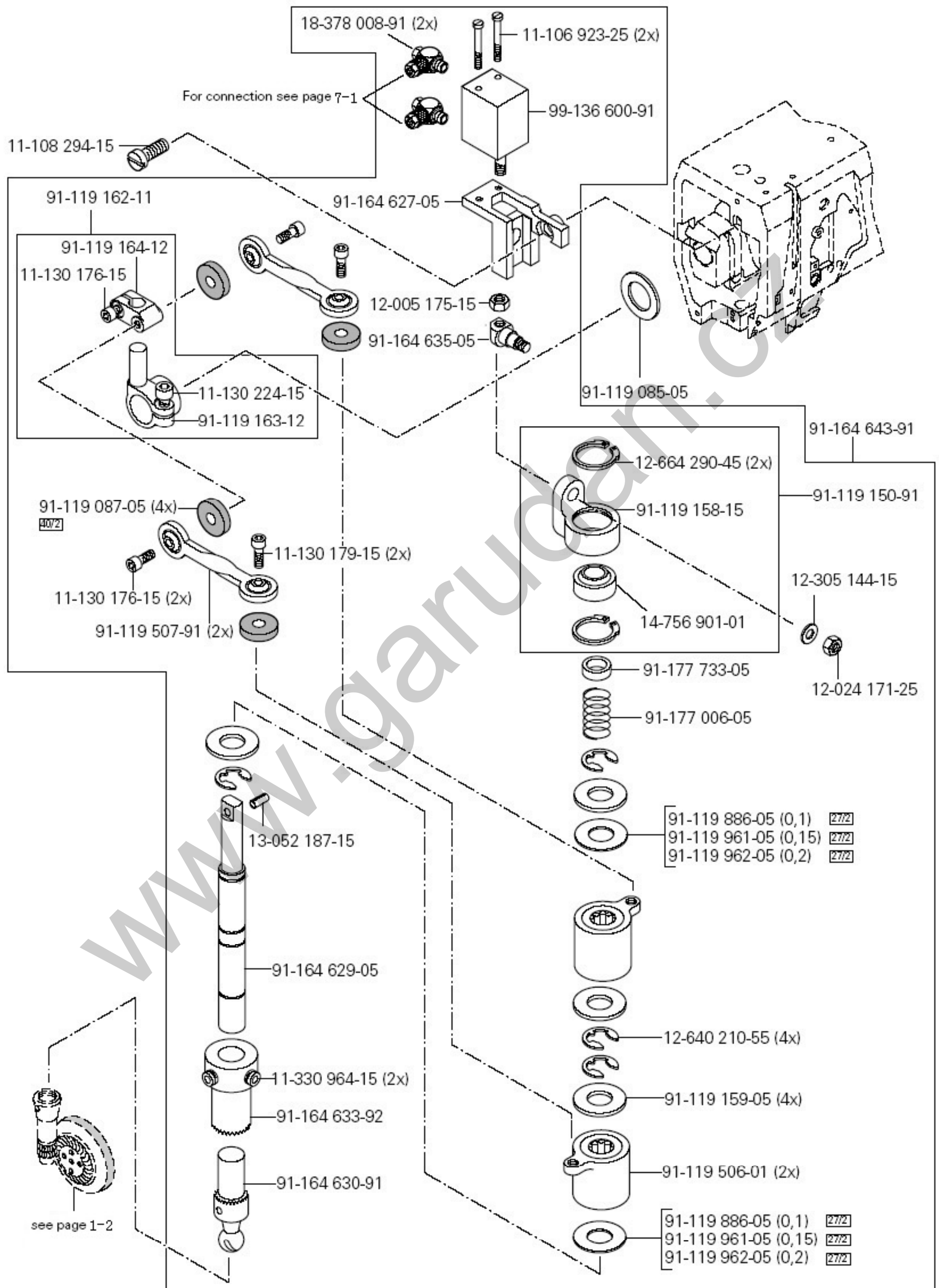
## Automatic presser foot lifter (-D3)



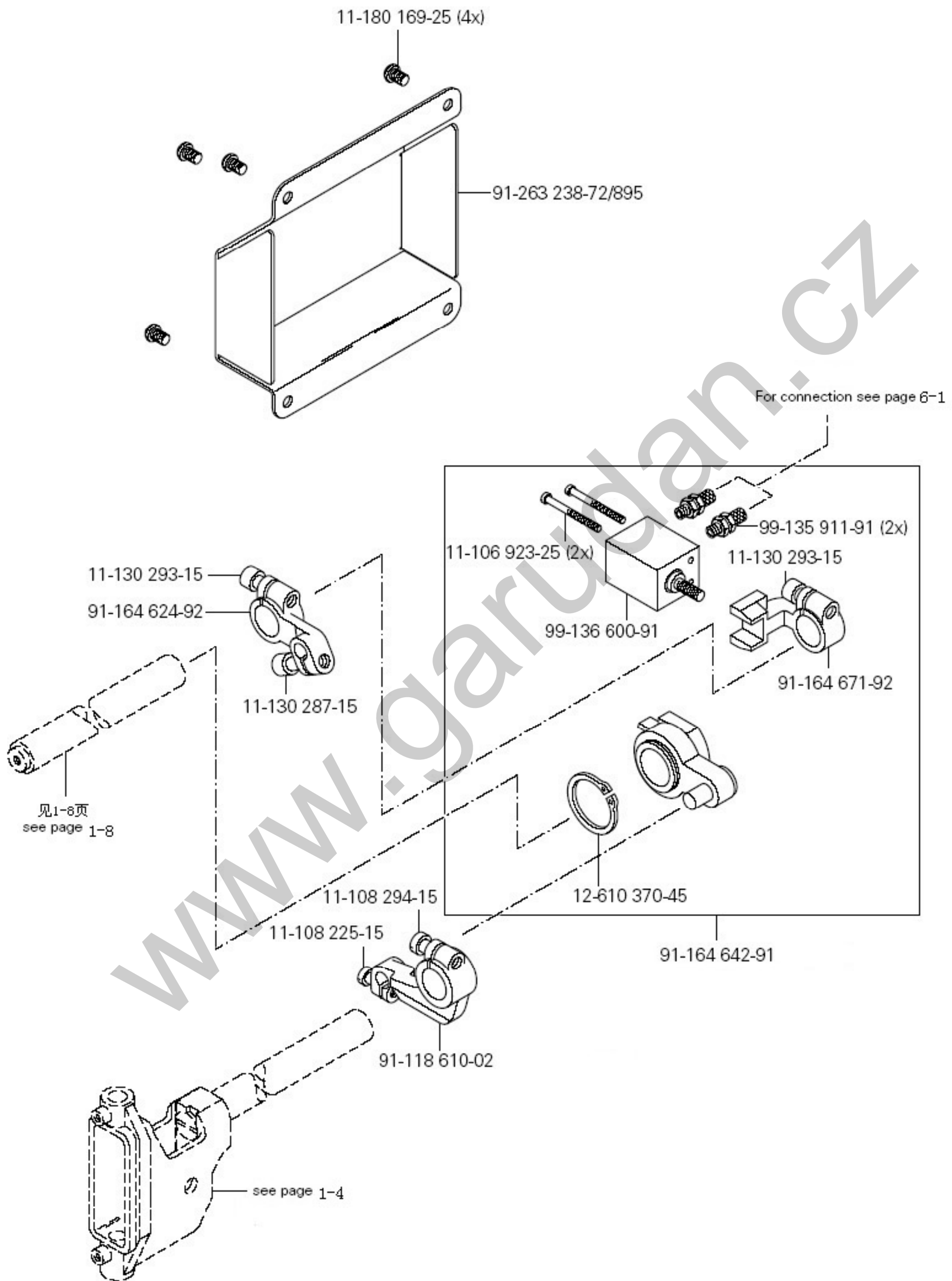


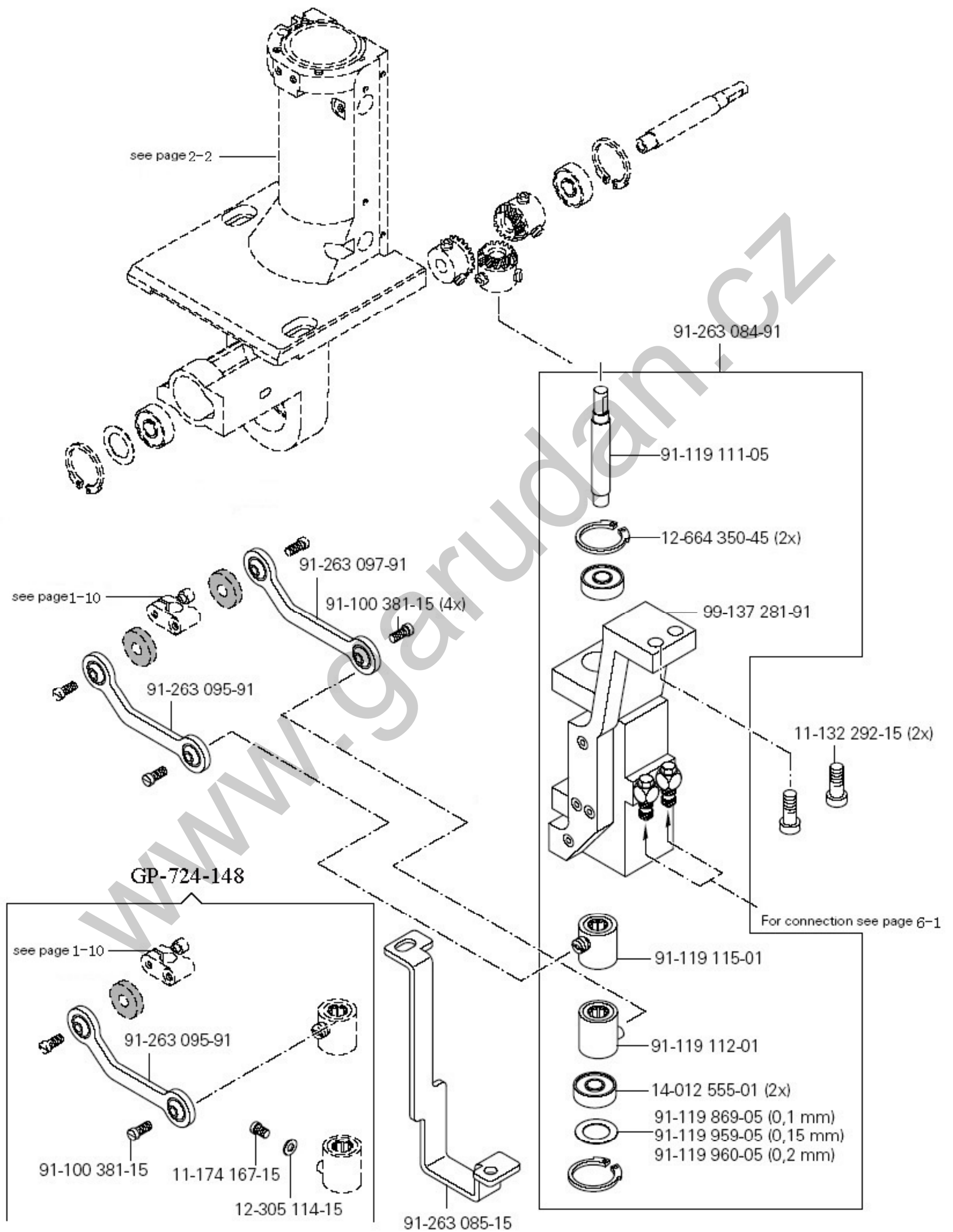
# 5

## Backtacking mechanism (-D3)



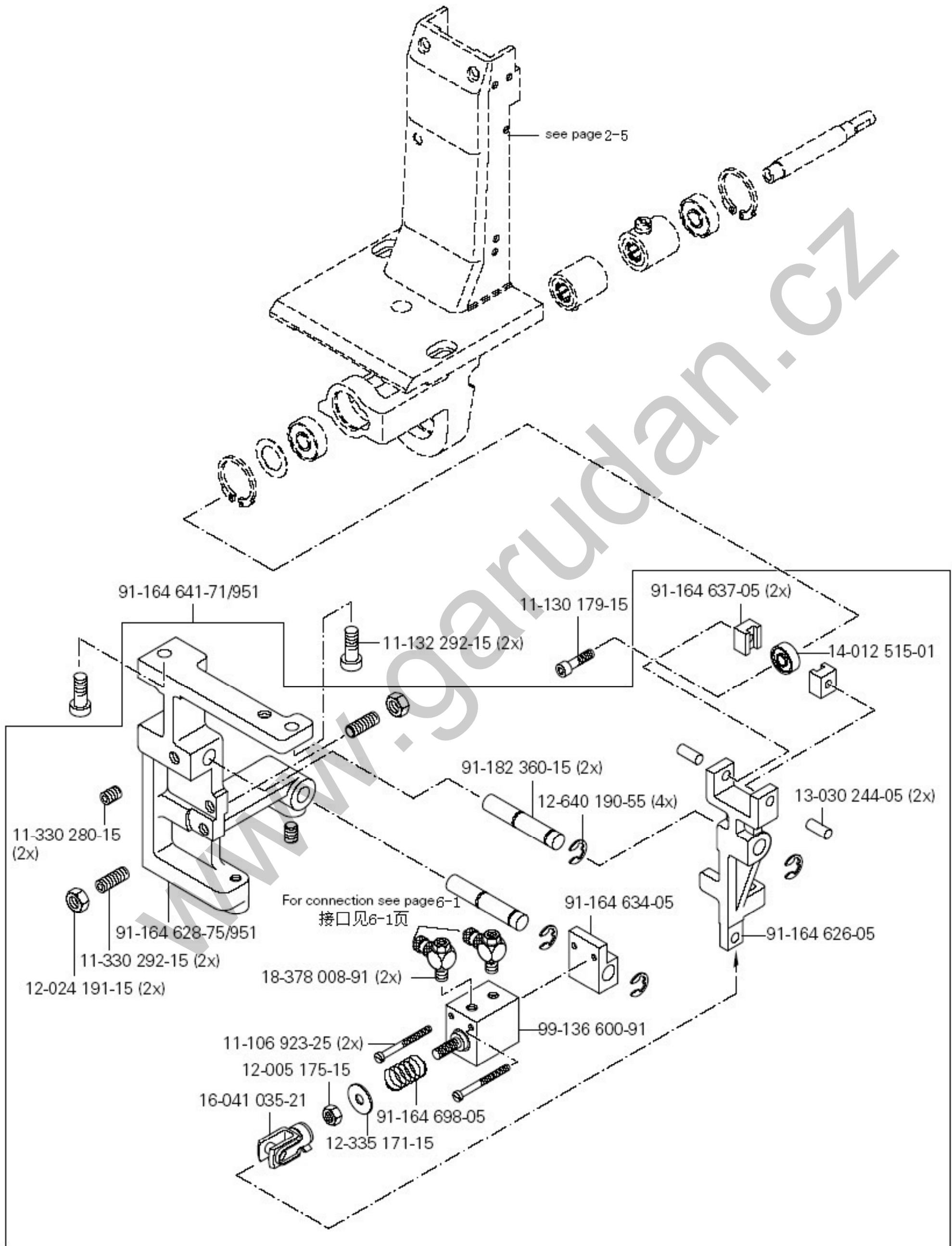
# 5 Backtacking mechanism (-D3)



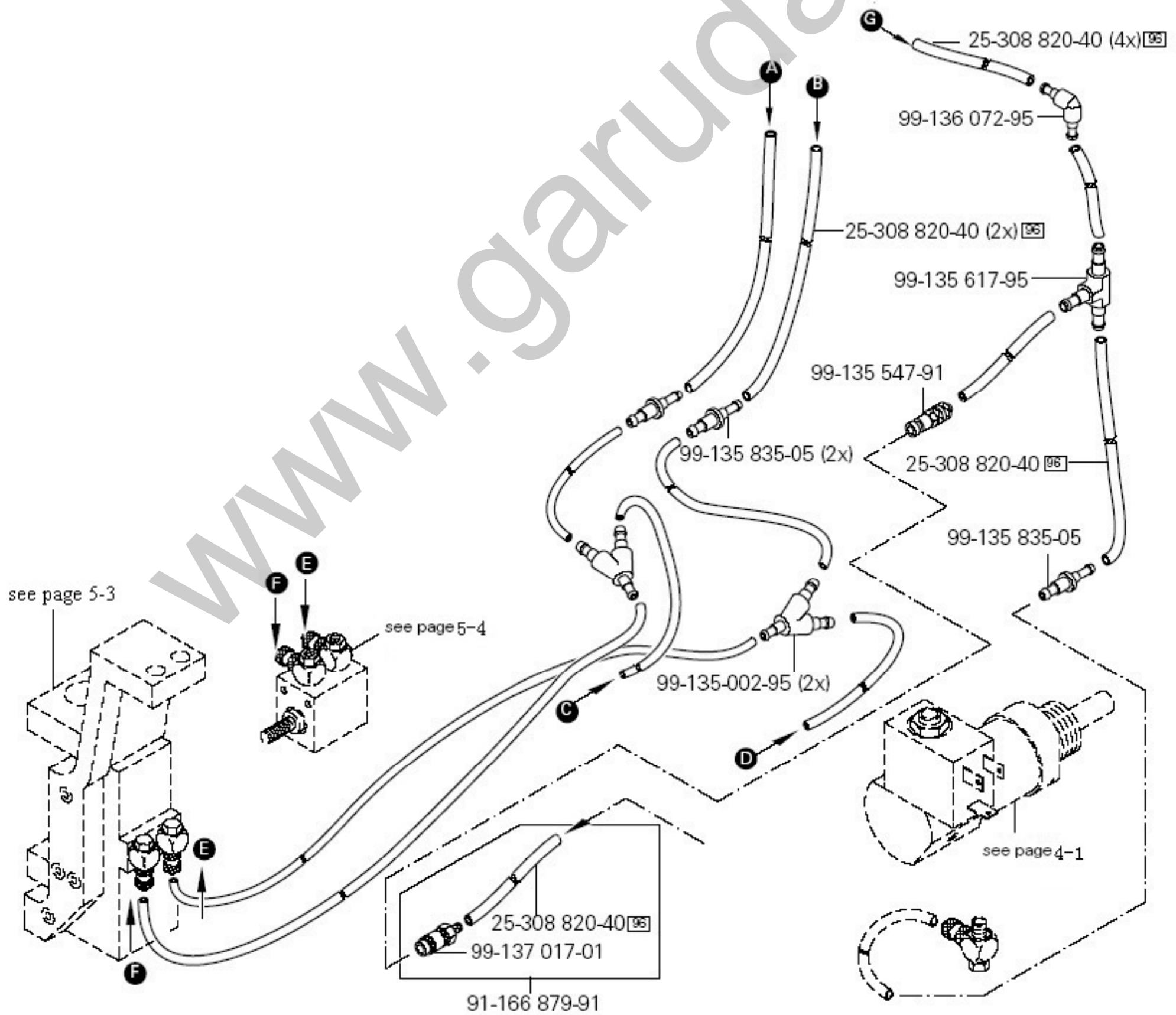
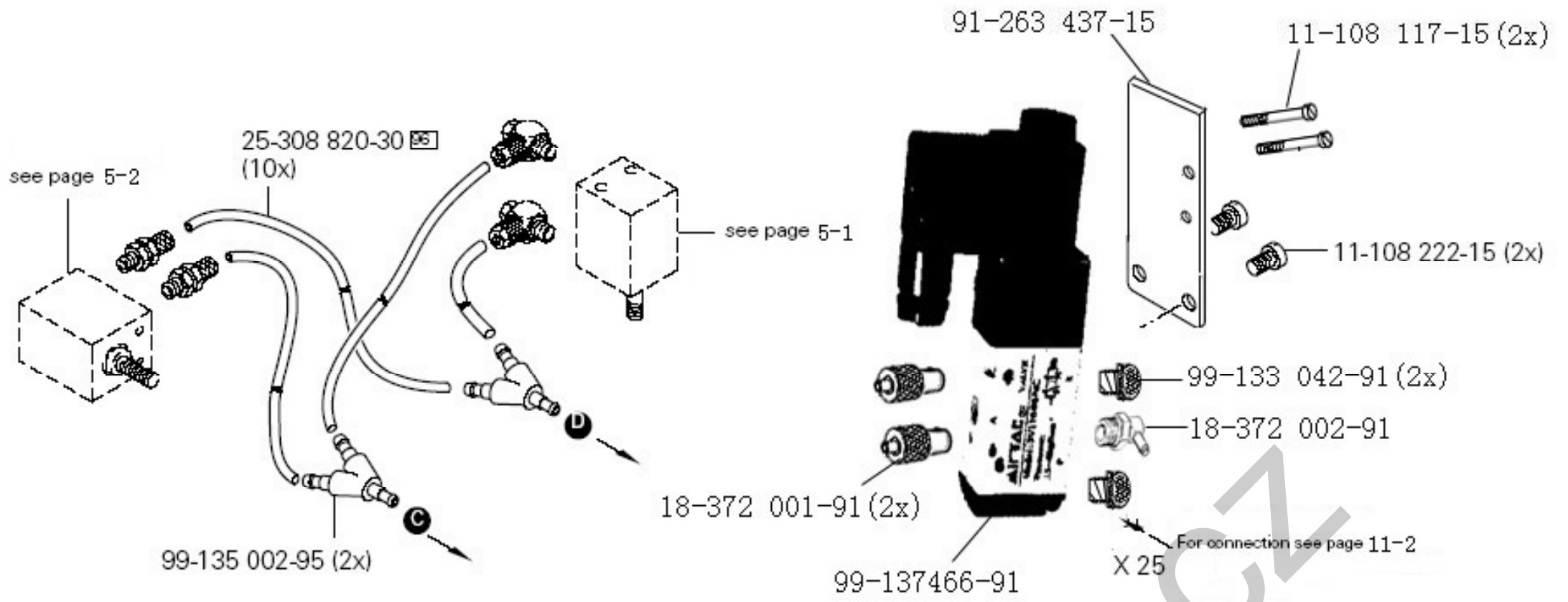


# 5

## Backtacking mechanism (GP-710-148)

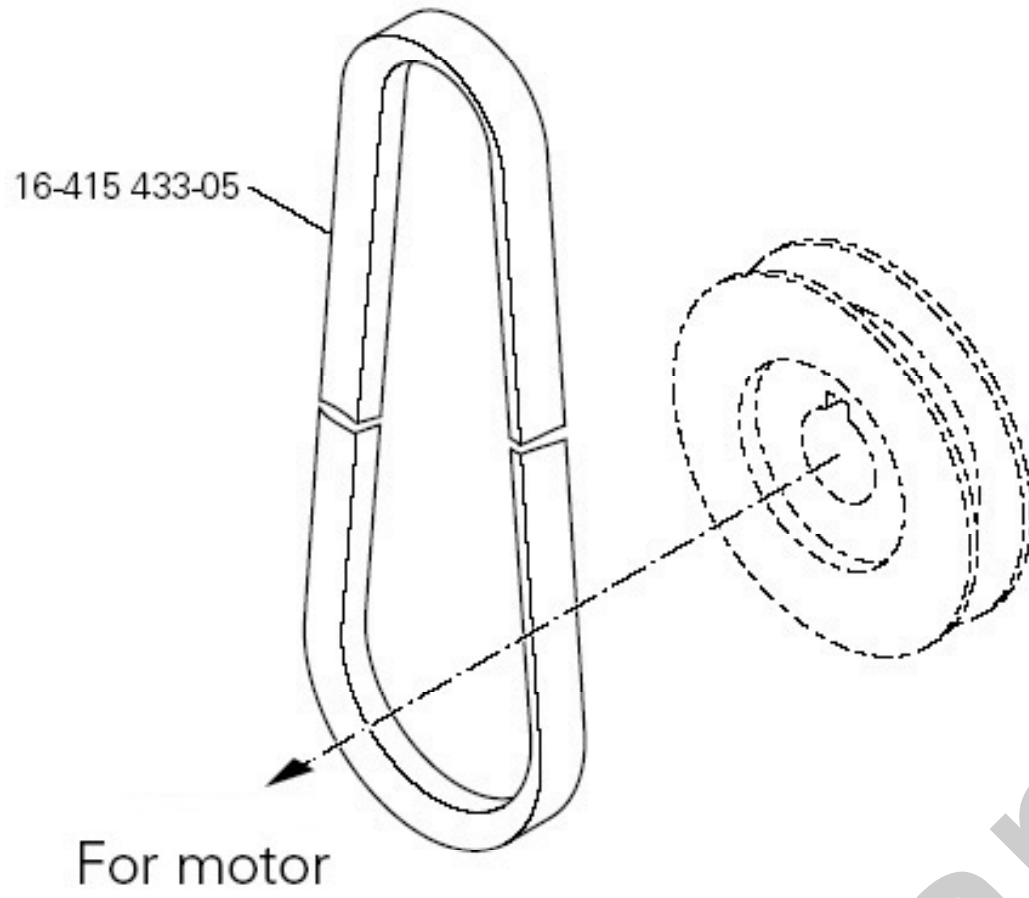


# 6 Pneumatic equipment



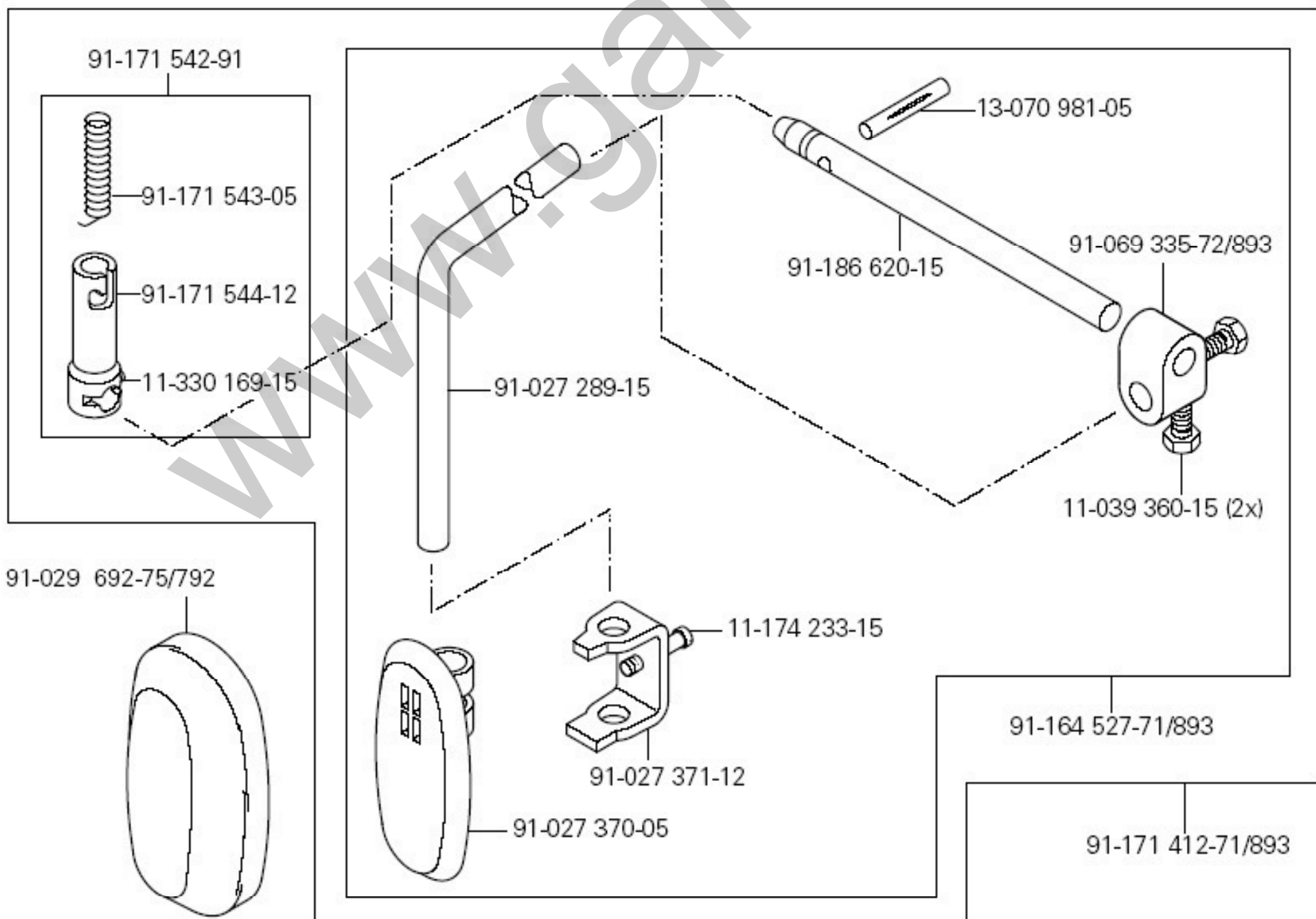
7

V-belt

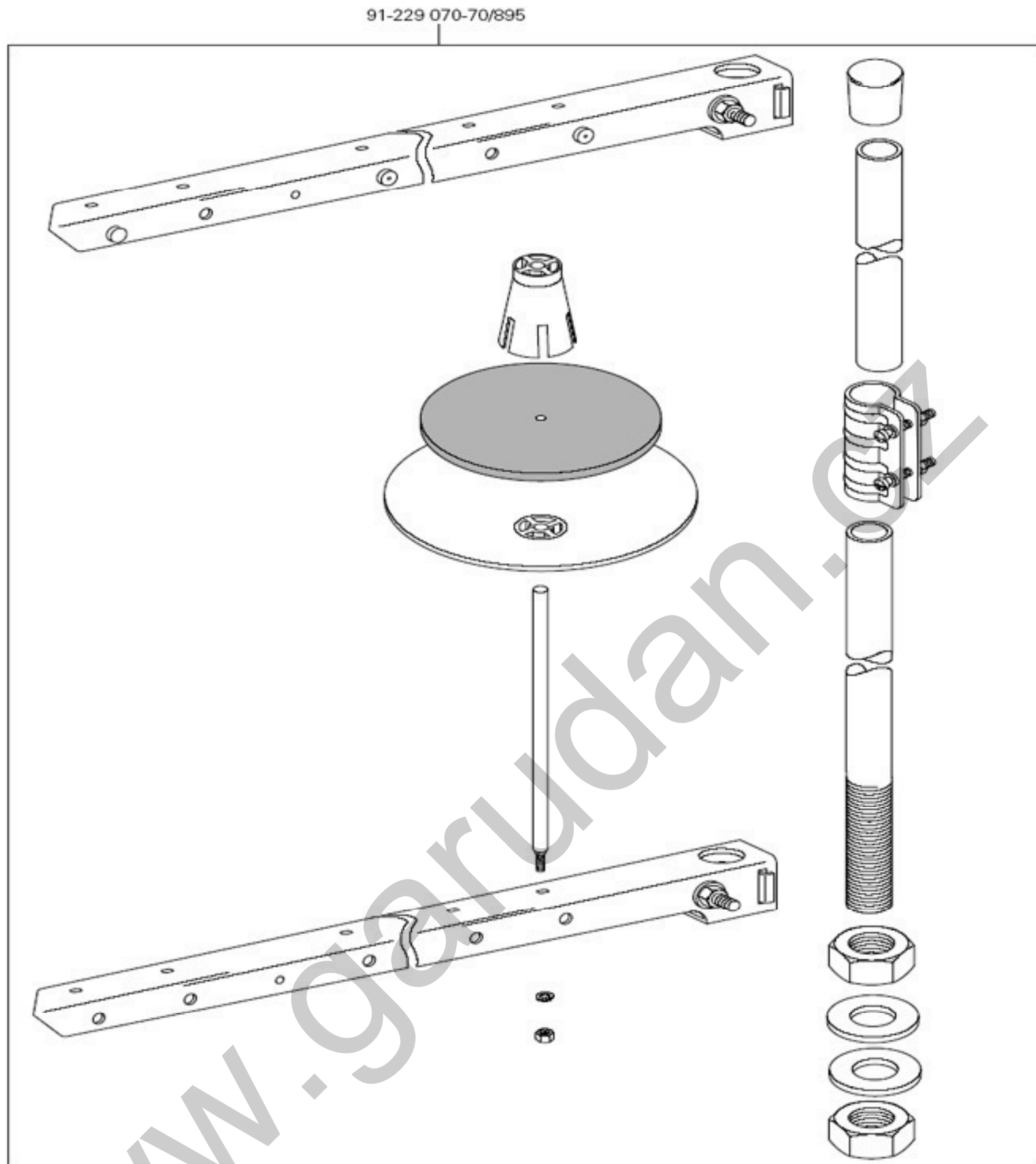


8

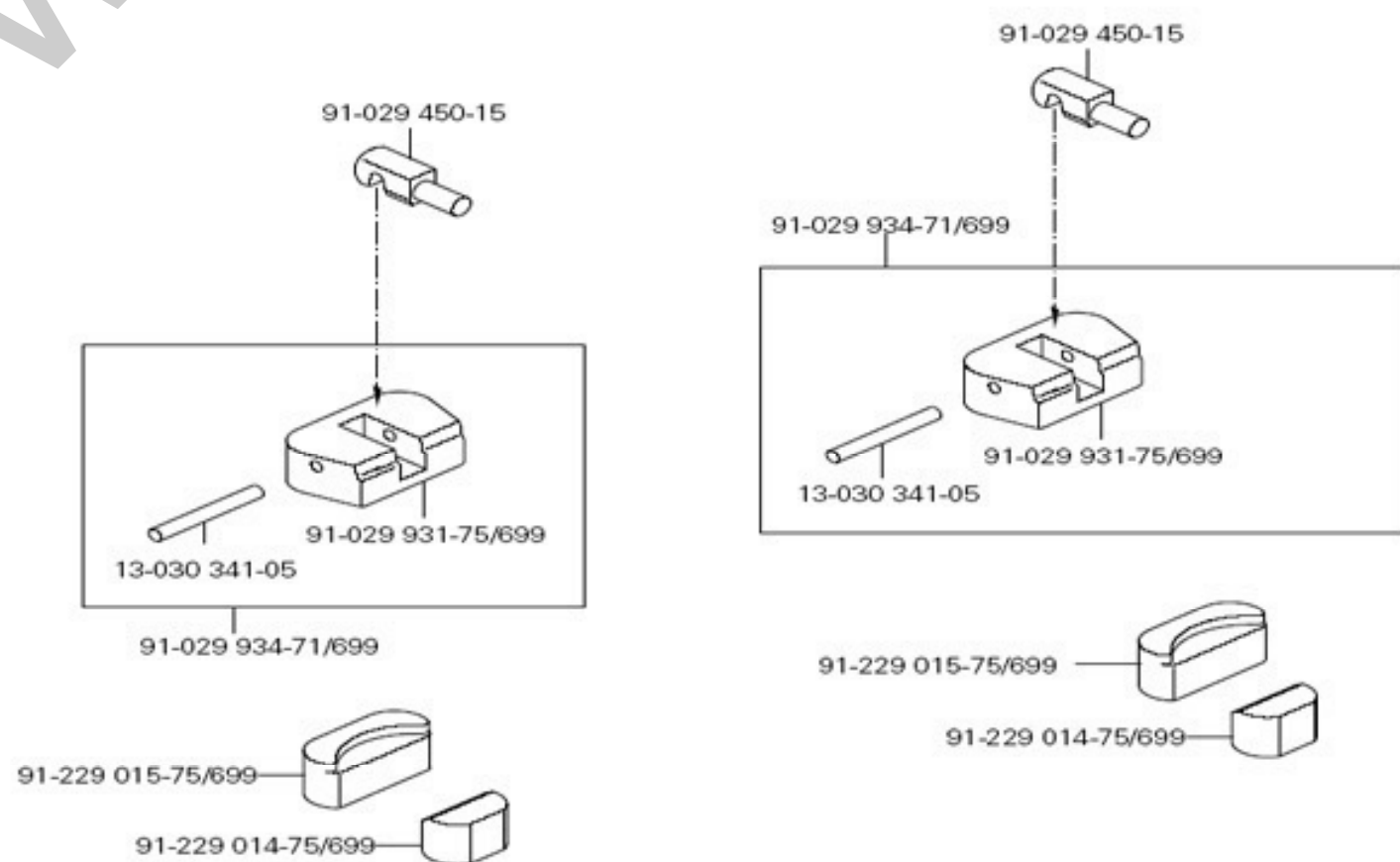
Knee lifter parts



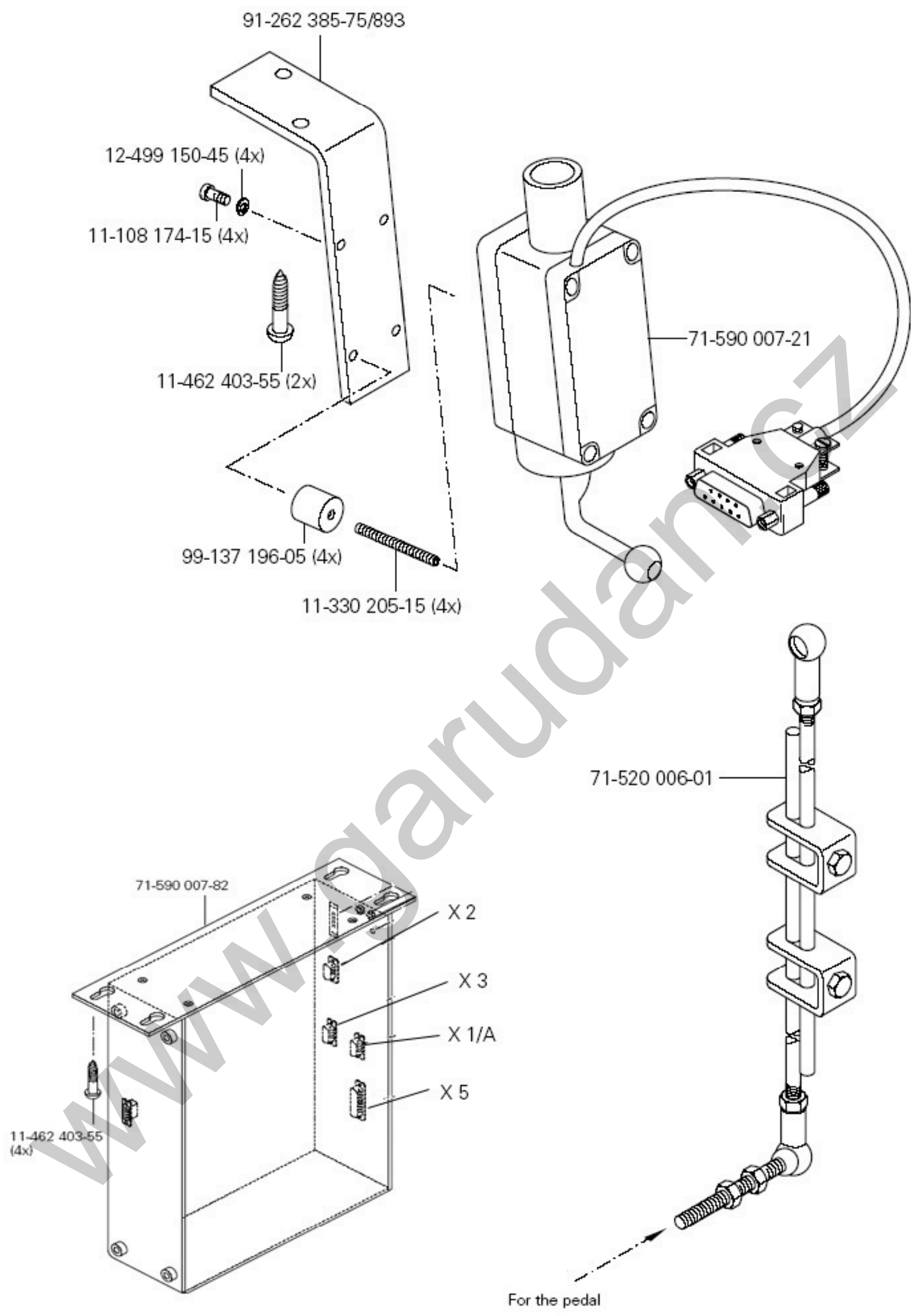
# 9 Reel stands



# 10 Parts for table top

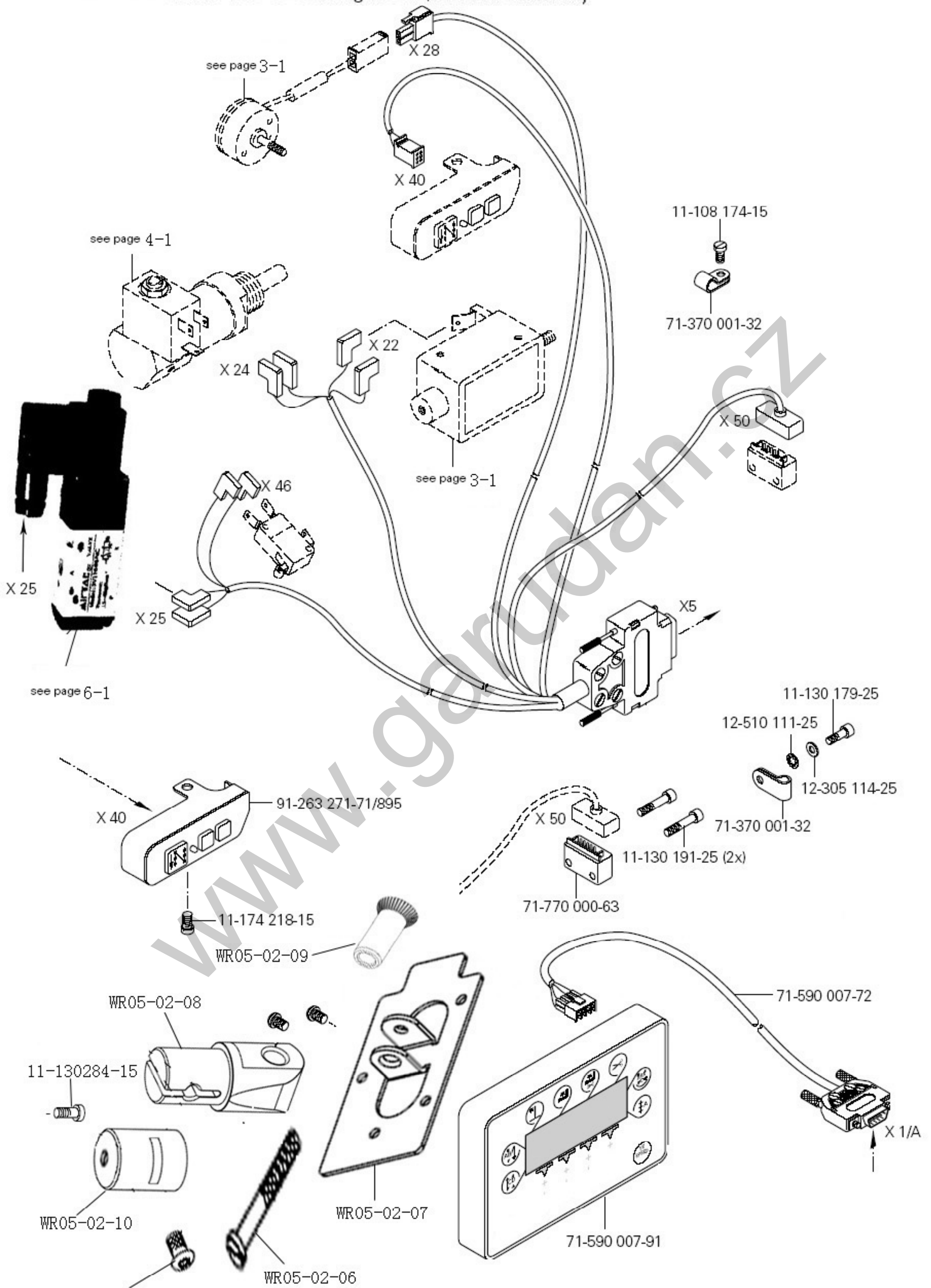


# 11. 01 Set-point generator and Control box (Electric control 1)

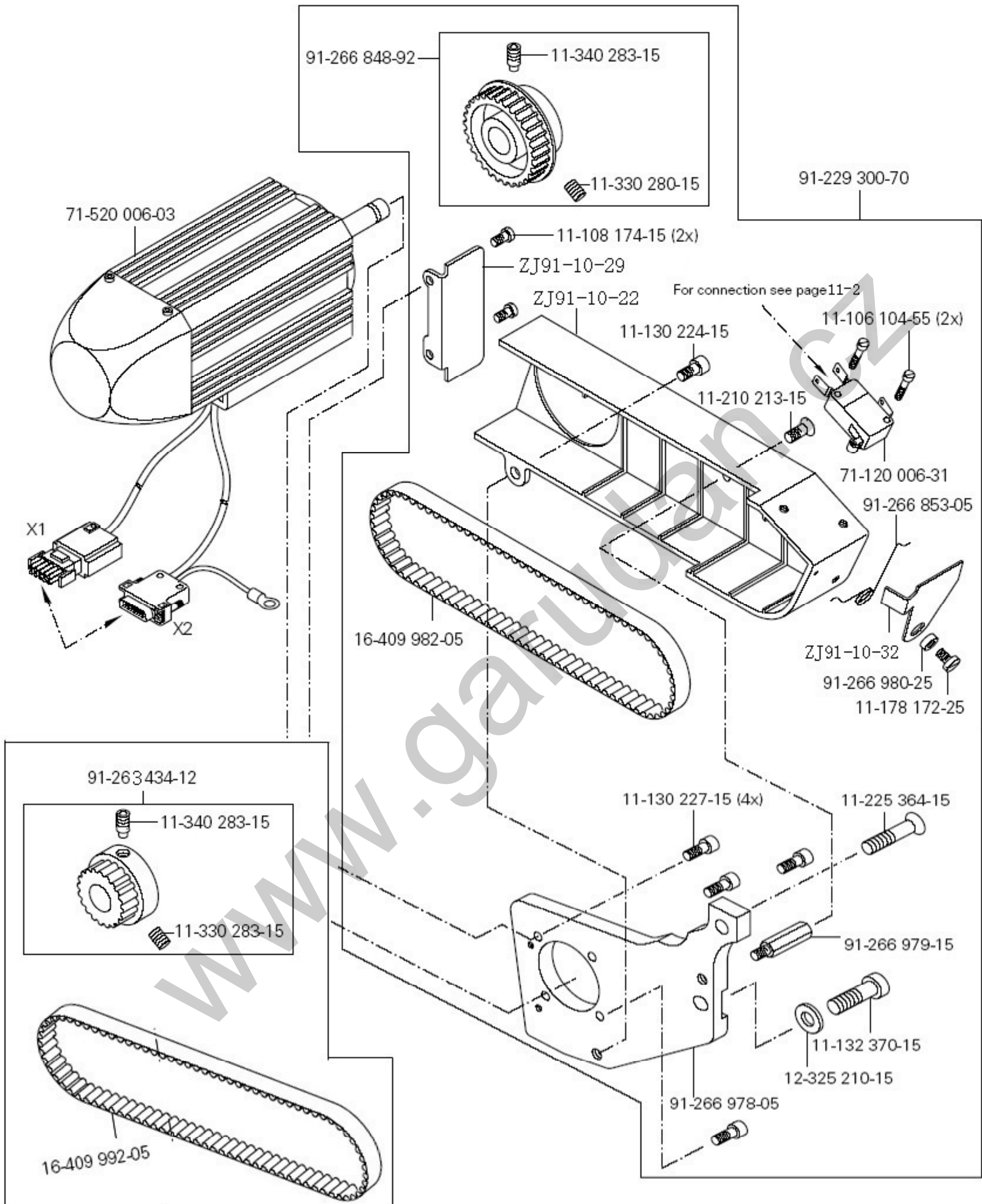




# 11. 02 Cable tree to sewing head (Electric control 1)

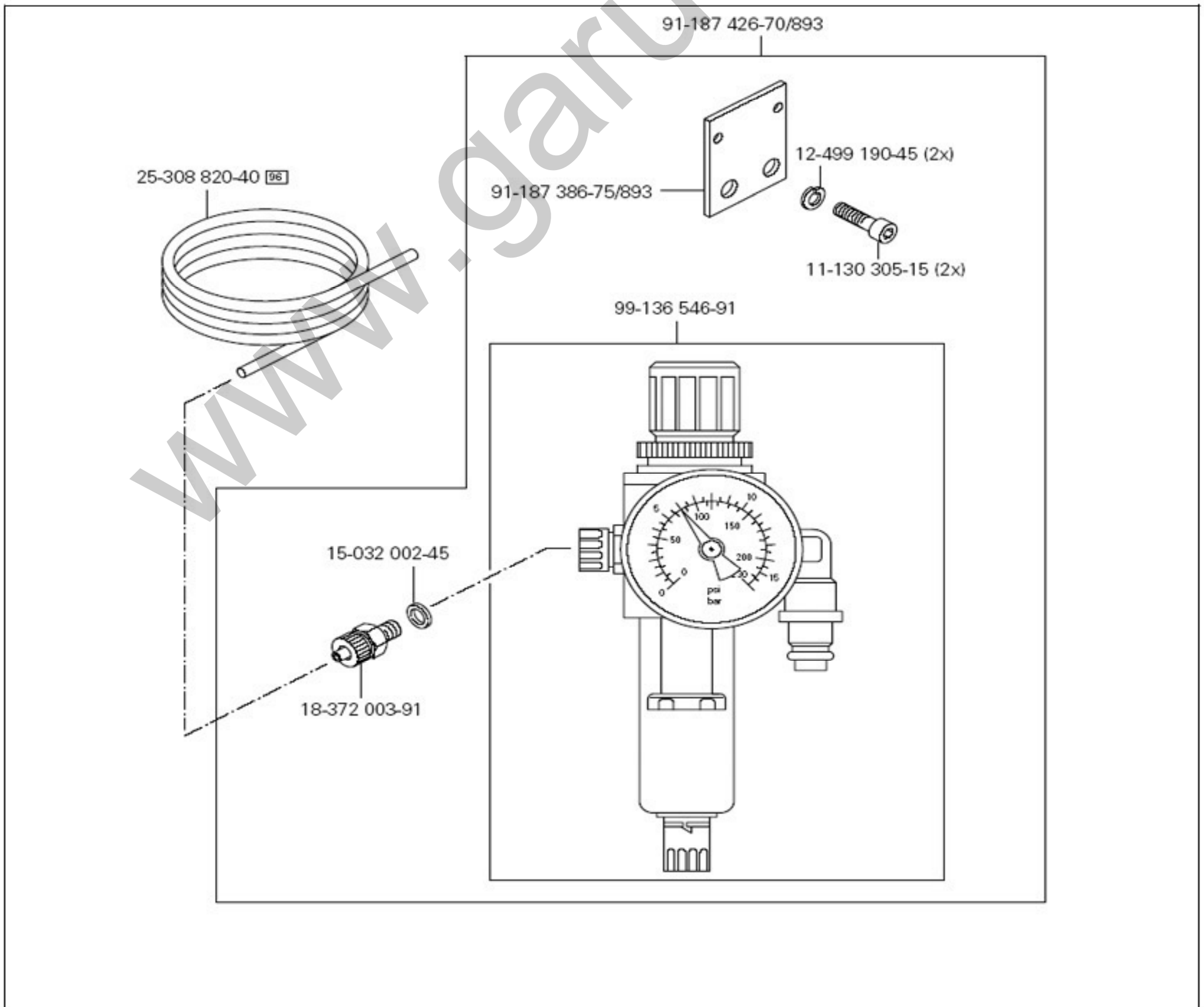
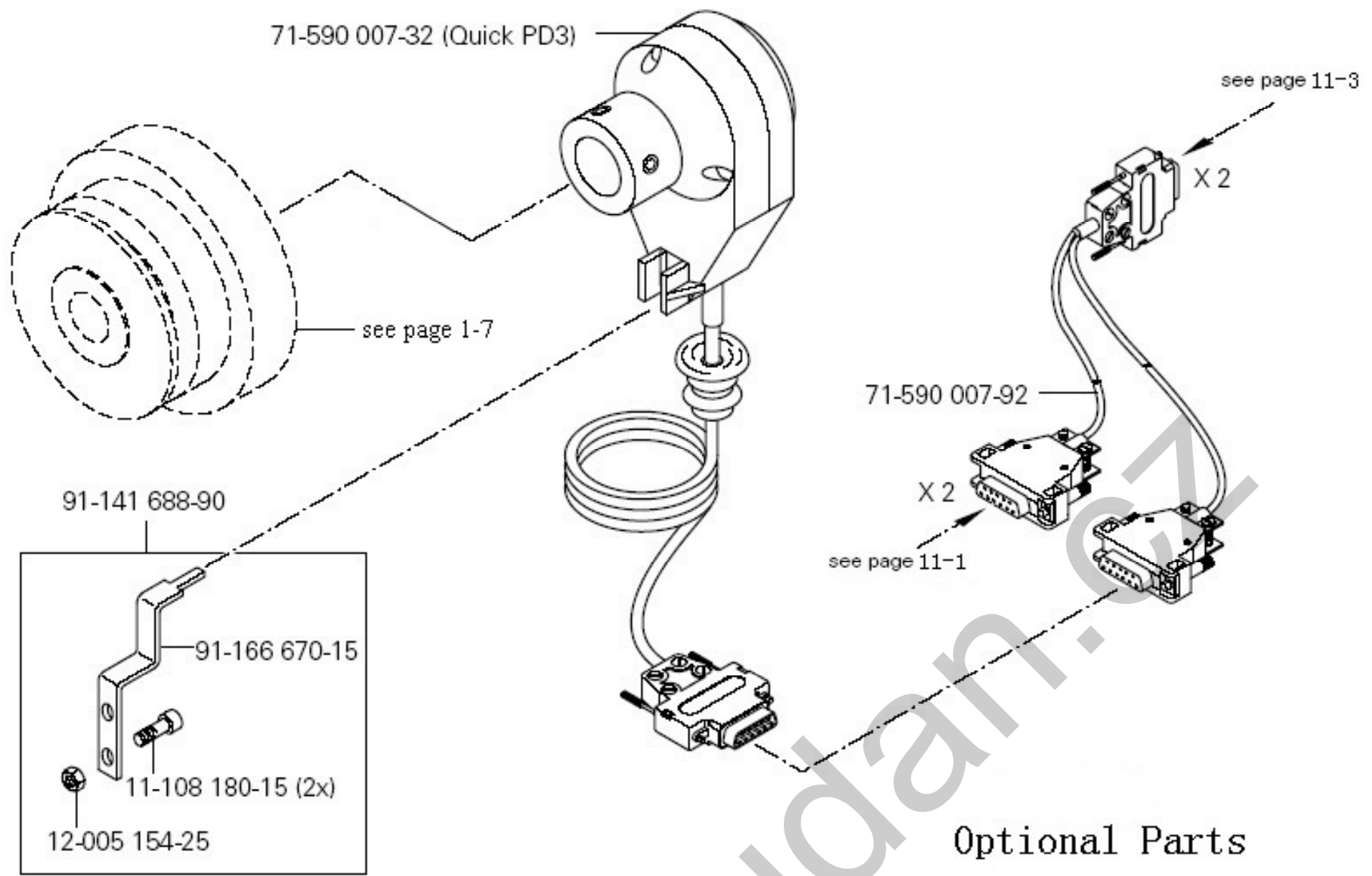


# 11.03 Built-in motor (Electric control 1)



(GP-724-148)

# 11.04 Synchronizer (Electric control 1) (GP-724-148)



# 12 Built-in motor (Electric control2)

